

ELECTRIC DRYER USE AND CARE GUIDE 29" WIDE MODELS

Table of Contents

OPERATING INSTRUCTION'S

DRYER SAFETY	2
CHECK YOUR VENT SYSTEM FOR GOOD AIR FLOW.....	4
CONTROL PANEL AND FEATURES	5
CYCLE GUIDE.....	7
USING YOUR DRYER	8
DRYER CARE	10

INSTALLATION INSTRUCTIONS

INSTALLATION REQUIREMENTS.....	12
Tools and Parts.....	12
Location Requirements.....	12
Electrical Requirements.....	13
Install Leveling Legs.....	14
Electrical Connection.....	15
VENTING.....	19
Venting Requirements.....	19
Plan Vent System.....	20
Install Vent System	21
Connect Vent	22
Level Dryer	22
COMPLETE INSTALLATION CHECKLIST	22
REVERSE DOOR SWING (OPTIONAL)	23
TROUBLESHOOTING	27

DRYER SAFETY

Your safety and the safety of others are very important.

We have provided many important safety messages in this manual and on your appliance. Always read and obey all safety messages.



This is the safety alert symbol.

This symbol alerts you to potential hazards that can kill or hurt you and others.

All safety messages will follow the safety alert symbol and either the word “DANGER” or “WARNING.” These words mean:

 **DANGER**

You can be killed or seriously injured if you don't immediately follow instructions.

 **WARNING**

You can be killed or seriously injured if you don't follow instructions.

All safety messages will tell you what the potential hazard is, tell you how to reduce the chance of injury, and tell you what can happen if the instructions are not followed.



WARNING - “Risk of Fire”

- Clothes dryer installation must be performed by a qualified installer.
- Install the clothes dryer according to the manufacturer's instructions and local codes.
- Do not install a clothes dryer with flexible plastic venting materials or flexible metal (foil type) duct. If flexible metal duct is installed, it must be of a specific type identified by the appliance manufacturer as suitable for use with clothes dryers. Flexible venting materials are known to collapse, be easily crushed, and trap lint. These conditions will obstruct clothes dryer airflow and increase the risk of fire.
- To reduce the risk of severe injury or death, follow all installation instructions.
- Save these instructions.

IMPORTANT SAFETY INSTRUCTIONS

WARNING: To reduce the risk of fire, electric shock, or injury to persons when using the dryer, follow basic precautions, including the following:

- Read all instructions before using the dryer.
- Do not place items exposed to cooking oils in your dryer. Items contaminated with cooking oils may contribute to a chemical reaction that could cause a load to catch fire.
- Do not dry articles that have been previously cleaned in, washed in, soaked in, or spotted with gasoline, dry-cleaning solvents, or other flammable or explosive substances as they give off vapors that could ignite or explode.
- Do not allow children to play on or in the dryer. Close supervision of children is necessary when the dryer is used near children.
- Before the dryer is removed from service or discarded, remove the door to the drying compartment.
- Do not reach into the dryer if the drum is moving.
- Do not install or store the dryer where it will be exposed to the weather.
- Do not tamper with controls.
- Do not repair or replace any part of the dryer or attempt any servicing unless specifically recommended in this Use and Care Guide or in published user-repair instructions that you understand and have the skills to carry out.
- Do not use fabric softeners or products to eliminate static unless recommended by the manufacturer of the fabric softener or product.
- Do not use heat to dry articles containing foam rubber or similarly textured rubber-like materials.
- Clean lint screen before or after each load.
- Keep area around the exhaust opening and adjacent surrounding areas free from the accumulation of lint, dust, and dirt.
- The interior of the dryer and exhaust vent should be cleaned periodically by qualified service personnel.
- See “Electrical Requirements” located in the installation instructions for grounding instructions.

SAVE THESE INSTRUCTIONS

WARNING: For your safety, the information in this manual must be followed to minimize the risk of fire or explosion, or to prevent property damage, personal injury, or death.

- Do not store or use gasoline or other flammable vapors and liquids in the vicinity of this or any other appliance.
- **WHAT TO DO IF YOU SMELL GAS:**
 - Do not try to light any appliance.
 - Do not touch any electrical switch; do not use any phone in your building.
 - Clear the room, building, or area of all occupants.
 - Immediately call your gas supplier from a neighbor's phone. Follow the gas supplier's instructions.
 - If you cannot reach your gas supplier, call the fire department.
- Installation and service must be performed by a qualified installer, service agency, or the gas supplier.

CHECK YOUR VENT SYSTEM FOR GOOD AIR FLOW

⚠ WARNING



Fire Hazard

Use a heavy metal vent.

Do not use a plastic vent.

Do not use a metal foil vent.

Failure to follow these instructions can result in death or fire.

Good air flow

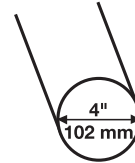
Along with heat, dryers require good air flow to efficiently dry laundry. Proper venting will reduce your drying times and improve your energy savings. See "Installation Instructions".

The venting system attached to the dryer plays a big role in good air flow.

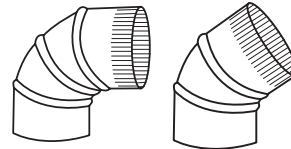
Service calls caused by improper venting are not covered by the warranty and will be paid by the customer, regardless of who installed the dryer.

Maintain good air flow by:

- Cleaning your lint screen before each load.
- Replace plastic or foil vent material with 4" (102 mm) diameter heavy, rigid vent material.



- Use the shortest length of vent possible.
- Use no more than four 90° elbows in a vent system; each bend and curve reduces air flow.



Good

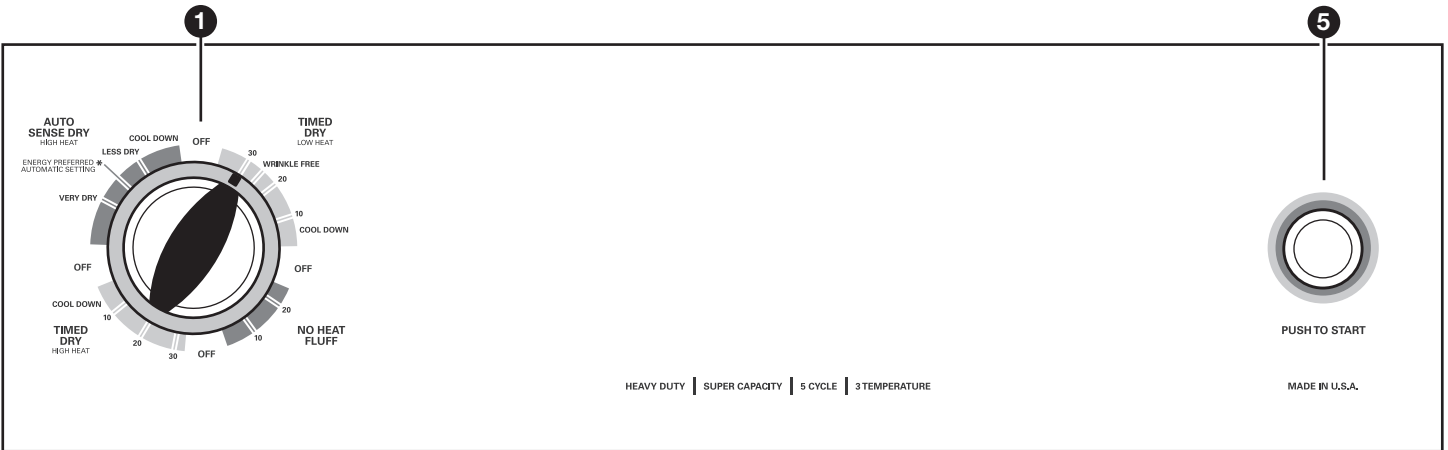
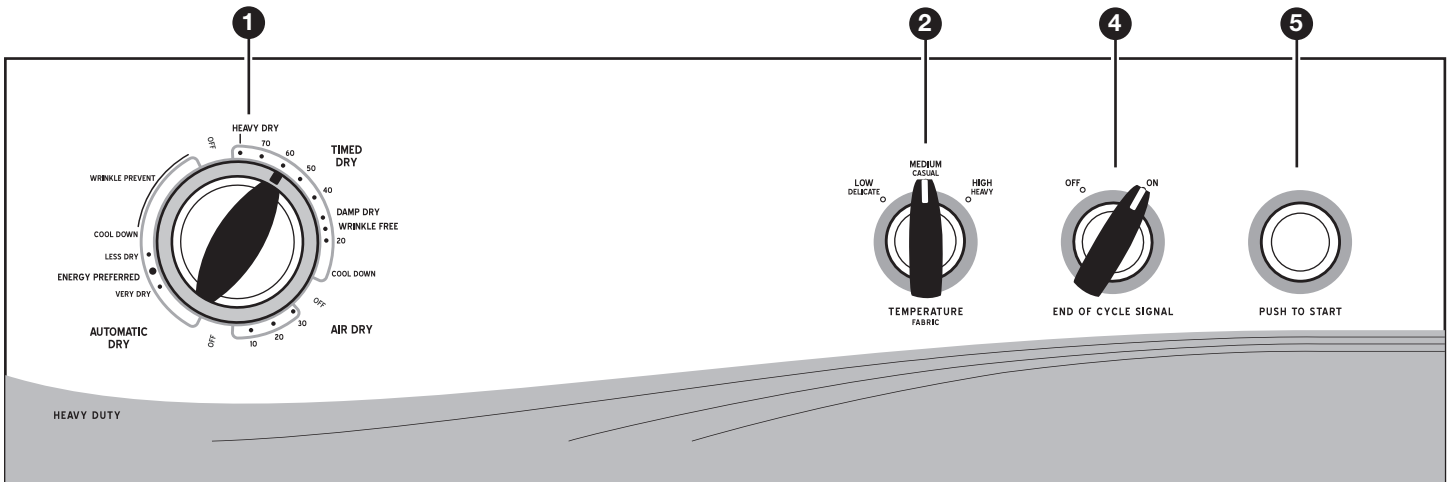
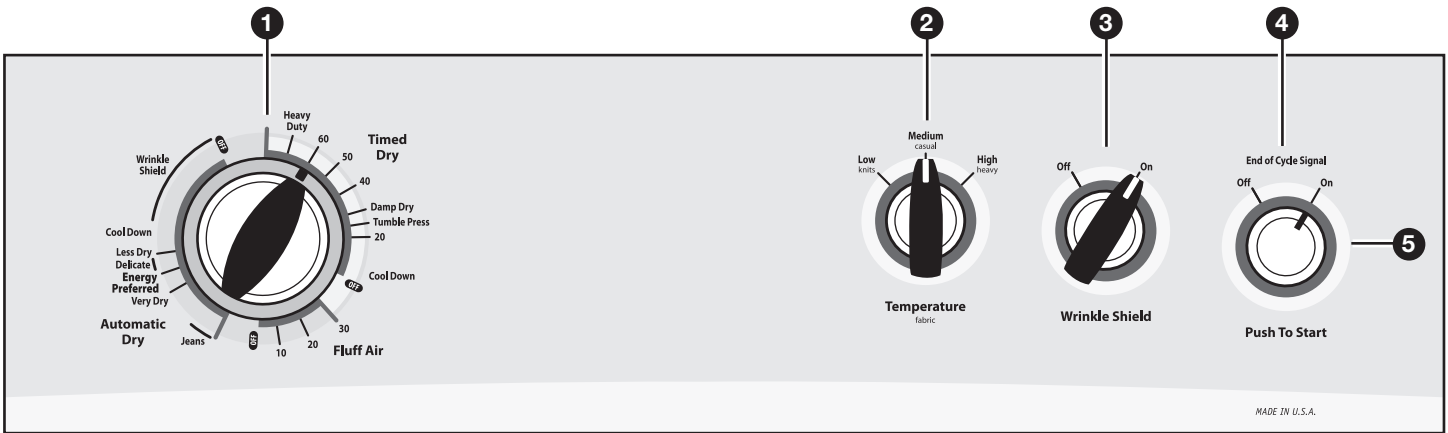
Better

- Remove lint and debris from the exhaust hood.
- Remove lint from the entire length of the vent system at least every 2 years. When cleaning is complete, be sure to follow the Installation Instructions supplied with your dryer for final product check.
- Clear away items from the front the dryer.

Use Automatic Dry/Auto Sense Dry for better fabric care and energy savings

Use the Automatic Dry/Auto Sense Dry cycles to provide the most energy savings and enhanced fabric care from the dryer. During Automatic Dry/Auto Sense Dry, drying air temperature and moisture level are sensed in the load. This sensing occurs throughout the drying cycle and the dryer shuts off when the load reaches the selected dryness. With Timed Dry, the dryer runs the amount of time set and sometimes results in shrinkage, wrinkling, and static due to over-drying. Use Timed Dry for the occasional damp load that needs a little more drying time or when using the drying rack.

CONTROL PANEL & FEATURES



Not all features and options are available on all models.
Appearance may vary.

1 DRYER CYCLE KNOB

Use your Dry Cycle Knob to select available cycles on your dryer. Turn the knob to select a cycle for your laundry load. See “Cycle Guide” for detailed descriptions of cycles.

2 TEMPERATURE FABRIC (for use with Manual Cycles only)

Select a drying temperature based on the fabrics in your load. If you are unsure of the temperature to select for a load, select the lower setting rather than the higher setting.

NOTE: The Air Dry Temp/Fluff Air/No Heat Fluff Feature is not available on the Automatic Cycles (depending on model).

3 WRINKLE SHIELD™

When you are unable to remove a load of clothes from the dryer as soon as it stops, wrinkles can form. The WRINKLE SHIELD™ option periodically tumbles, rearranges, and fluffs the load to help keep wrinkles from forming.

Automatic

Activates at the end of the cycle if you do not open the dryer door within a few minutes. This feature periodically starts and stops the dryer, tumbling the load without heat up to 30 or 40 minutes, depending on model.

Option

Set the WRINKLE SHIELD™ selector knob to ON or OFF at any time before the cycle has ended. Get up to 30 to 40 minutes (depending on model) heat-free, periodic tumbling at the end of a cycle.

4 End of Cycle Signal

The End of Cycle Signal sounds when the drying cycle is finished. On some models the End of Cycle signal is fixed. On others the End of Cycle Signal is selectable and the signal will sound only if set to On.

NOTE: When the Wrinkle Shield™ setting is selected and the End of Cycle Signal is On, the signal sounds every few minutes. The signal stops when you open the door or turn the Cycle Control knob to Off.

5 START/PAUSE BUTTON

Press to start a cycle, or press once while a cycle is in process to pause it.

CYCLE GUIDE — AUTOMATIC DRY/AUTO SENSE DRY CYCLES

Not all cycles and settings are available on all models.

AUTOMATIC DRY/AUTO SENSE DRY - Senses moisture in the load or air temperature and shuts off when the load reaches the selected dryness level. Gives the best drying in the shortest time. Drying time varies based on fabric type, load size, and dryness setting.

Depending on model, temperature may be selected on cycle knob or be a separate control.

Load Type	Cycle:	Drying Temperature:	Cycle Details:
Denim	Jeans	Medium or High	Thoroughly dries denim.
No-iron fabrics, cottons, perm press, linens, synthetics	Energy Preferred/ Energy Preferred Automatic Setting* (depending on model)	Any	Automatic Dry senses the temperature of the load. Auto Sense Dry senses the moisture level in load. These cycles automatically shut off when load reaches the selected dryness
Small loads, lightweight items	Delicate	Low	Gently dries delicate items.
All loads	Cool Down	No heat	Cools the load to make it easier to handle.
Any load	Wrinkle Shield™/ Wrinkle Prevent (depending on model)	No heat	Periodically starts and stops dryer, tumbling the load to avoid wrinkling.

NOTE: If loads do not seem as dry as you would like, select Very Dry next time you dry a similar load.

CYCLE GUIDE — TIMED DRY CYCLES

Not all cycles and settings are available on all models. Settings and options shown in **bold** are default settings for that cycle.

TIMED DRY - Will run the dryer for the specified time on the control. Depending on model, temperature may be selected on cycle knob or be a separate control.

Load Type	Cycle:	Drying Temperature:	Cycle Details:
Large or heavy items such as thick towels or robes	Heavy Duty	High	Evenly dries large or heavy loads.
Any load	Damp Dry	Any	Dries items to a damp level or for items that do not require an entire drying cycle.
Any load	Tumble Press®/ Wrinkle Free (depending on model)	Low or Medium heat depending on fabrics in load	Helps to smooth out wrinkles, such as those found in clothes packed in a suitcase or in items wrinkled from being left in the dryer too long.
Any load	Cool Down	No heat	Cools the load to make it easier to handle.
Rubber, plastic, heat-sensitive fabrics	Fluff Air/ Air Dry/ No Heat Fluff (depending on model)	No heat	No-heat drying.

Setting the Drying Temperature

Select a drying temperature based on the fabrics in your load. If you are unsure of the temperature to select for a load, select the lower setting rather than the higher setting.

Temperature Tips

If your dryer has multiple heat settings:

- A High heat setting may be used for drying heavyweight items such as towels and work clothes.
- A Medium heat setting may be used for drying medium-weight items such as sheets, blouses, dresses, underwear, permanent press fabrics, and some knits.

- A Low heat setting may be used for drying light-weight items such as lingerie.
- Use a No heat (Fluff Air/Air Dry/No Heat Fluff) setting for foam, rubber, plastic, or heat-sensitive fabrics.
- Line dry bonded or laminated fabrics.

NOTE: If you have questions about drying temperatures for various loads, refer to the care label directions.

USING YOUR DRYER

⚠ WARNING



Explosion Hazard

Keep flammable materials and vapors, such as gasoline, away from dryer.

Do not dry anything that has ever had anything flammable on it (even after washing).

Failure to follow these instructions can result in death, explosion, or fire.

⚠ WARNING



Fire Hazard

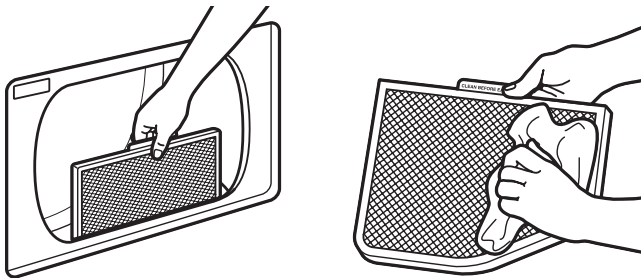
No washer can completely remove oil.

Do not dry anything that has ever had any type of oil on it (including cooking oils).

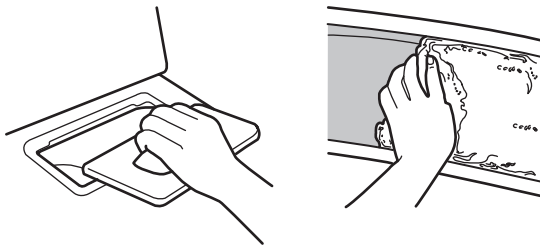
Items containing foam, rubber, or plastic must be dried on a clothesline or by using an Air Cycle.

Failure to follow these instructions can result in death or fire.

1. Clean the lint screen



or

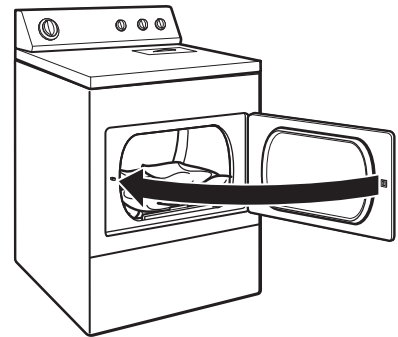


Depending on model.

Clean the lint screen before each load. Pull the lint screen straight up. Roll lint off the screen with your fingers. Do not rinse or wash screen to remove lint. Push the lint screen firmly back into place.

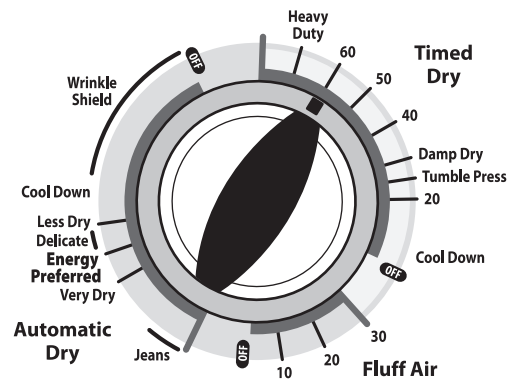
For additional cleaning information, see Dryer Care.

2. Load the dryer



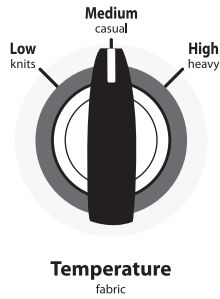
Place laundry in the dryer. Close the door. Do not tightly pack the dryer; clothes should be able to tumble freely.

3. Select the desired cycle



Select the desired cycle for your load. See the Cycle Guide or the display for more information about each cycle.

4. Set Temperature Fabric



Set the Temperature selector to the recommended cycle for the type of fabric being dried. See Cycle Guide for temperature suggestions. On some models, temperature is included in the cycle selections.

NOTE: Not all options and settings are available with all cycles and/or models.

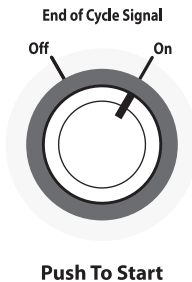
5. Select cycle options (if desired)



Add additional options by turning the knob.

NOTE: Not all options and settings are available with all cycles and/or models.

6. Press Push to Start to begin cycle



Press the Push to Start button to begin the cycle.

7. Remove garments promptly after cycle is finished



Promptly remove garments after cycle has completed to reduce wrinkling. If you will be unable to remove the load promptly, turn the Wrinkle Shield button to ON at any time before the cycle has ended.

Wrinkle Shield™

- Automatic activates at the end of the cycle if you do not open the dryer door within a few minutes. This feature periodically starts and stops the dryer, tumbling the load without heat up to 30 or 40 minutes, depending on the model, to help avoid wrinkling.
- You may set the WRINKLE SHIELD™ selector knob to On. Dryer will periodically start and stop, tumbling the load without heat for up to 30 or 40 minutes, depending on your model, to help avoid wrinkling.

NOTE: A signal will sound periodically when the WRINKLE SHIELD™ setting is selected, but only if the End of Cycle signal knob is On.

DRYER CARE

Cleaning the dryer location

Keep dryer area clear and free from items that would block the air flow for proper dryer operation. This includes clearing piles of laundry in front of the dryer.

! WARNING



Explosion Hazard

Keep flammable materials and vapors, such as gasoline, away from dryer.

Place dryer at least 18 inches (460 mm) above the floor for a garage installation.

Failure to do so can result in death, explosion, or fire.

Cleaning the dryer interior

To clean dryer drum

1. Apply a liquid, nonflammable household cleaner to the stained area of the drum and rub with a soft cloth until stain is removed.
2. Wipe drum thoroughly with a damp cloth.
3. Tumble a load of clean cloths or towels to dry the drum.

NOTE: Garments that contain loose dyes, such as denim jeans or brightly colored cotton items, may discolor the dryer interior. These stains are not harmful to your dryer and will not stain future loads of clothes. Dry these items inside out to avoid drum staining.

Removing accumulated lint

From Inside the Dryer Cabinet

Lint should be removed every 2 years, or more often, depending on dryer usage. Cleaning should be done by a qualified servicer.

From the Exhaust Vent

Lint should be removed every 2 years, or more often, depending on dryer usage.

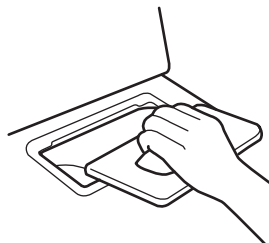
Cleaning the lint screen

Every load cleaning

The lint screen is located on the top of the dryer or in the door opening. A screen blocked by lint can increase drying time.

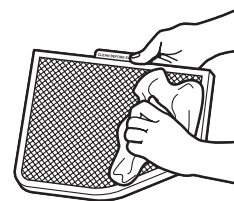
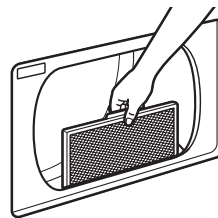
To clean (depending on model):

1. Pull the lint screen toward you.



or

1. Pull the lint screen straight up.



2. Roll lint off the screen with your fingers. Do not rinse or wash screen to remove lint.
3. Push the lint screen firmly back into place.

IMPORTANT:

- Do not run the dryer with the lint screen loose, damaged, blocked, or missing. Doing so can cause overheating and damage to both the dryer and fabrics.
- If lint falls off the screen into the dryer during removal, check the exhaust hood and remove the lint. See "Venting Requirements."

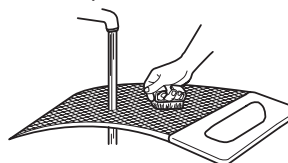
As needed cleaning

Laundry detergent and fabric softener residue can build up on the lint screen. This buildup can cause longer drying times for your clothes, or cause the dryer to stop before your load is completely dry. The screen is probably clogged if lint falls off while the screen is in the dryer.

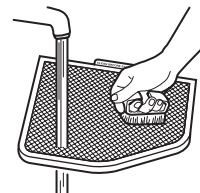
Clean the lint screen with a nylon brush every 6 months, or more frequently, if it becomes clogged due to a residue buildup.

To wash:

1. Roll lint off the screen with your fingers.
2. Wet both sides of lint screen with hot water.
3. Wet a nylon brush with hot water and liquid detergent. Scrub lint screen with the brush to remove residue buildup.



or



4. Rinse screen with hot water.
5. Thoroughly dry lint screen with a clean towel. Reinstall screen in dryer.

Vacation, storage, and moving care

Vacation or Storage Care

Operate your dryer only when you are at home. If you will be on vacation or not using your dryer for an extended period of time, you should:

1. Unplug dryer or disconnect power.
2. Clean lint screen. See “Cleaning the Lint Screen.”

Moving Care

For power supply cord-connected dryers:

1. Unplug the power supply cord.
2. Make sure leveling legs are secure in dryer base.
3. Use tape to secure dryer door.

⚠ WARNING



Electrical Shock Hazard

Disconnect power before servicing.

Replace all parts and panels before operating.

Failure to do so can result in death or electrical shock.

For direct-wired dryers:

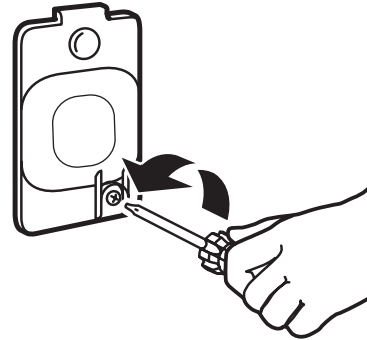
1. Disconnect power.
2. Disconnect wiring.
3. Make sure leveling legs are secure in dryer base.
4. Use tape to secure dryer door.

Reinstalling the Dryer

Follow the “Installation Instructions” to locate, level, and connect the dryer.

Changing the drum light (on some models)

1. Unplug dryer or disconnect power.
2. Open the dryer door. Locate the light bulb cover on the back wall of the dryer. Using a Phillips head screw driver, remove the screw located in the lower right-hand corner of the cover. Remove the cover.



3. Turn bulb counterclockwise. Replace the bulb with a 10-watt appliance bulb only. Replace the cover and secure with the screw.
4. Plug in dryer or reconnect power.

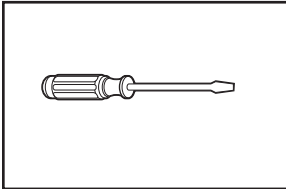
INSTALLATION INSTRUCTIONS

INSTALLATION REQUIREMENTS

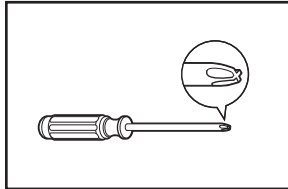
Tools and Parts

Gather the required tools and parts before starting installation. Read and follow the instructions provided with any tools listed here.

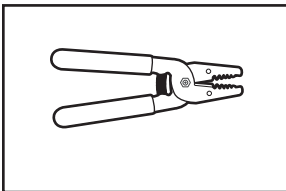
Tools needed:



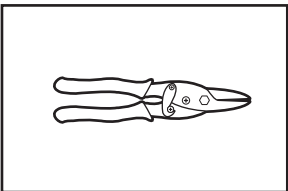
Flat-blade or magnetized screwdriver



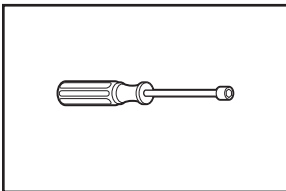
#2 Phillips screwdriver



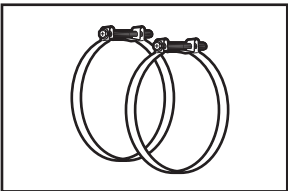
Wire stripper (direct wire installations)



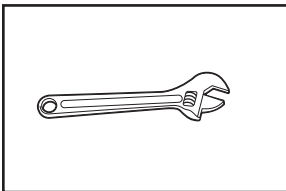
Tin snips (new vent installations)



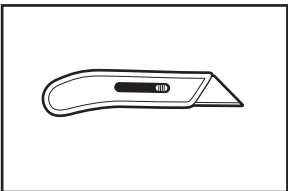
1/4" nut driver (recommended)



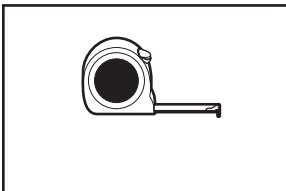
Vent clamps



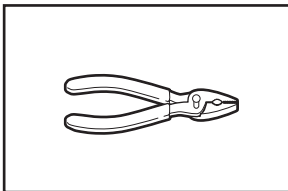
Adjustable wrench that opens to 1" (25 mm) or hex-head socket wrench



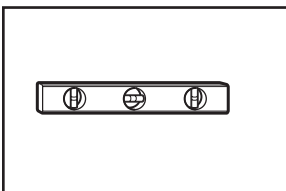
Utility knife



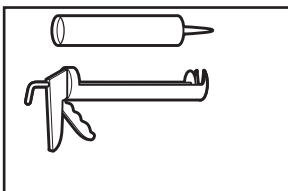
Tape measure



Pliers

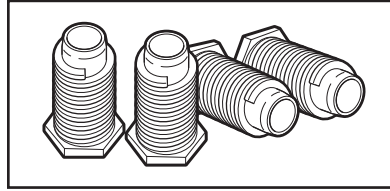


Level



Caulking gun and compound (for installing new exhaust vent)

Parts supplied (all models):



Leveling legs (4)

Parts package is located in dryer drum. Check that all parts are included.

Parts needed:

Check local codes. Check existing electrical supply and venting, and read "Electrical Requirements" and "Venting Requirements" before purchasing parts.

Mobile home installations require metal exhaust system hardware, available for purchase from the dealer from whom you purchased your dryer.

If using a power supply cord:

Use a UL listed power supply cord kit marked for use with clothes dryers. The kit should contain:

- A UL listed 30-amp power supply cord, rated 220 volt minimum. The cord should be type SRD or SRDT and be at least 4 ft. (1.22 m) long. The wires that connect to the dryer must end in ring terminals or spade terminals with upturned ends.
- A UL listed strain relief.

Location Requirements

⚠ WARNING



Explosion Hazard

Keep flammable materials and vapors, such as gasoline, away from dryer.

Place dryer at least 18 inches (460 mm) above the floor for a garage installation.

Failure to do so can result in death, explosion, or fire.

You will need:

- A location allowing for proper exhaust installation. See "Venting Requirements."
- A separate 30 amp circuit.
- If you are using power supply cord, a grounded electrical outlet located within 2 ft. (610 mm) of either side of dryer. See "Electrical Requirements."

- A sturdy floor to support the total weight (dryer and load) of 200 lbs. (90.7 kg). The combined weight of a companion appliance should also be considered.
- Level floor with maximum slope of 1" (25 mm) under entire dryer. (If slope is greater than 1" [25 mm], install Extended Dryer Feet Kit, Part Number 279810.) Clothes may not tumble properly and models with automatic sensor cycles may not operate correctly if dryer is not level.

Do not operate your dryer at temperatures below 45°F (7°C). At lower temperatures, the dryer might not shut off at the end of an automatic cycle. Drying times can be extended.

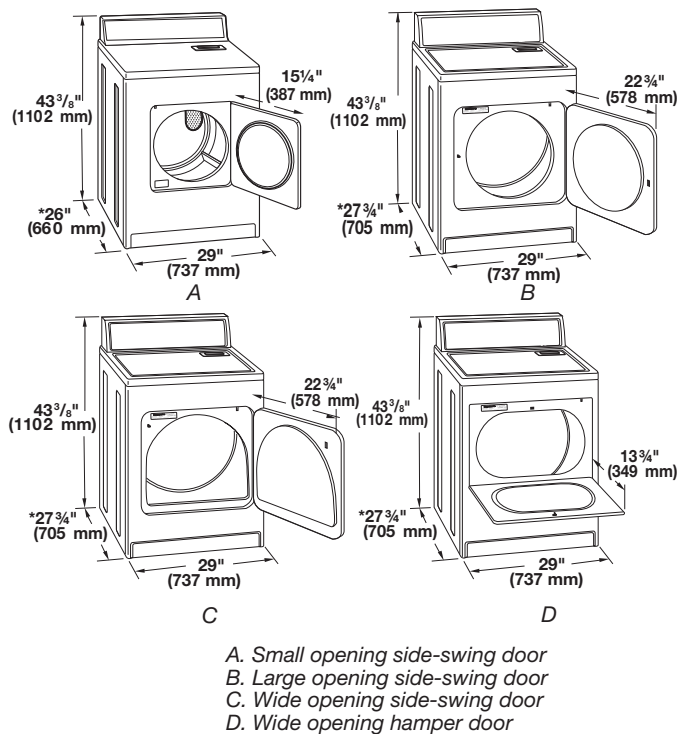
The dryer must not be installed or stored in an area where it will be exposed to water and/or weather.

Check code requirements. Some codes limit, or do not permit, installation of the dryer in garages, closets, mobile homes, or sleeping quarters. Contact your local building inspector.

Installation clearances:

The location must be large enough to allow the dryer door to open fully.

Dryer Dimensions



*Most installations require a minimum 5½" (140 mm) clearance behind the dryer for the exhaust vent with elbow. See "Venting Requirements."

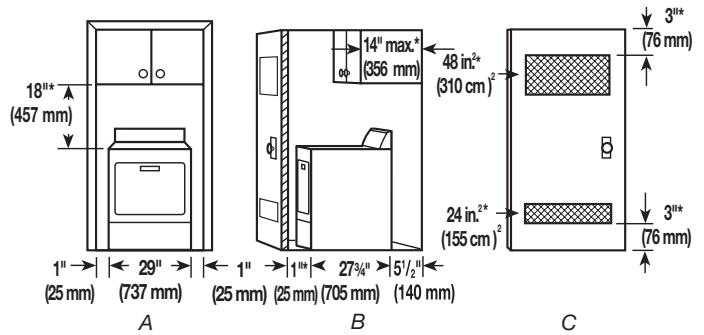
Minimum spacing for recessed area or closet installation

The dimensions shown following are for the minimum spacing allowed.

- Additional spacing should be considered for ease of installation and servicing.
- Additional clearances might be required for wall, door, and floor moldings.
- Additional spacing of 1" (25 mm) on all sides of the dryer is recommended to reduce noise transfer.

- For closet installation, with a door, minimum ventilation openings in the top and bottom of the door are required. Louvered doors with equivalent ventilation openings are acceptable.
- Companion appliance spacing should also be considered.

Minimum Required Spacing



A. Recessed area
 B. Side view - closet or confined area
 C. Closet door with vents

*Additional spacing recommended

Mobile home - Additional installation requirements

This dryer is suitable for mobile home installations. The installation must conform to the Manufactured Home Construction and Safety Standard, Title 24 CFR, Part 3280 (formerly the Federal Standard for Mobile Home Construction and Safety, Title 24, HUD Part 280).

- Metal exhaust system hardware, which is available for purchase from your dealer.
- Special provisions must be made in mobile homes to introduce outside air into the dryer. The opening (such as a nearby window) should be at least twice as large as the dryer exhaust opening.

Electrical Requirements

It is your responsibility:

- To contact a qualified electrical installer.
- To be sure that the electrical connection is adequate and in conformance with all local codes and ordinances.
- To supply the required 3 wire, single phase, 220 volt, 60 Hz, AC only electrical supply on a separate 30-amp circuit, fused on both sides of the line. A time-delay fuse or circuit breaker is recommended. Connect to an individual branch circuit. Do not have a fuse in the neutral or grounding circuit.
- Do not use an extension cord.
- If codes permit and a separate ground wire is used, it is recommended that a qualified electrician determine that the ground path is adequate.

Electrical Connection

To properly install your dryer, you must determine the type of electrical connection you will be using and follow the instructions provided for it here.

If using a power supply cord:

Use a UL listed power supply cord kit marked for use with clothes dryers. The kit should contain:

- A UL listed 30-amp power supply cord, rated 220 volt minimum. The cord should be type SRD or SRDT and be at least 4 ft. (1.22 m) long. The wires that connect to the dryer must end in ring terminals or spade terminals with upturned ends.

- A UL listed strain relief.

If connecting by direct wire:

Power supply cable must match power supply and be:

- Flexible armored cable or nonmetallic sheathed copper cable (with ground wire), covered with flexible metallic conduit. All current-carrying wires must be insulated.
- 10-gauge solid copper wire (do not use aluminum).
- At least 5 ft. (1.52 m) long.

GROUNDING INSTRUCTIONS

■ For a grounded, cord-connected dryer:
This dryer must be grounded. In the event of malfunction or breakdown, grounding will reduce the risk of electric shock by providing a path of least resistance for electric current. This dryer uses a cord having an equipment-grounding conductor and a grounding plug. The plug must be plugged into an appropriate outlet that is properly installed and grounded in accordance with all local codes and ordinances.

■ For a permanently connected dryer:
This dryer must be connected to a grounded metal, permanent wiring system, or an equipment-grounding conductor must be run with the circuit conductors and connected to the equipment-grounding terminal or lead on the dryer.

WARNING: Improper connection of the equipment-grounding conductor can result in a risk of electric shock. Check with a qualified electrician or service representative or personnel if you are in doubt as to whether the dryer is properly grounded. Do not modify the plug on the power supply cord: if it will not fit the outlet, have a proper outlet installed by a qualified electrician.

SAVE THESE INSTRUCTIONS

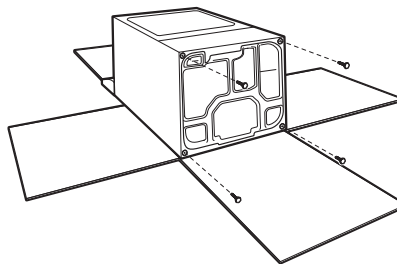
Install Leveling Legs

⚠ WARNING

Excessive Weight Hazard

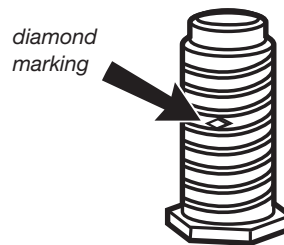
**Use two or more people to move and install dryer.
Failure to do so can result in back or other injury.**

1. Prepare dryer for leveling legs



To avoid damaging floor, use a large flat piece of cardboard from dryer carton; place under entire back edge of dryer. Firmly grasp dryer body (not console panel) and gently lay dryer down on cardboard.

2. Screw in leveling legs



Examine leveling legs, find diamond marking. Screw legs into leg holes by hand, use a wrench to finish turning legs until diamond marking is no longer visible.

Now stand the dryer on its feet. Slide the dryer until it is close to its final location. Leave enough room for electrical connection and to connect the exhaust vent.

Electrical Connection

Power Supply Cord

WARNING



Fire Hazard

Use a new UL listed 30 amp power supply cord.

Use a UL listed strain relief.

Disconnect power before making electrical connections.

Connect neutral wire (white or center wire) to center terminal (silver).

Ground wire (green or bare wire) must be connected to green ground connector.

Connect remaining 2 supply wires to remaining 2 terminals (gold).

Securely tighten all electrical connections.

Failure to do so can result in death, fire, or electrical shock.

Direct Wire

WARNING



Fire Hazard

Use 10 gauge copper wire.

Use a UL listed strain relief.

Disconnect power before making electrical connections.

Connect neutral wire (white or center wire) to center terminal (silver).

Ground wire (green or bare wire) must be connected to green ground connector.

Connect remaining 2 supply wires to remaining 2 terminals (gold).

Securely tighten all electrical connections.

Failure to do so can result in death, fire, or electrical shock.

Electrical Connection Options

1. Electrical connection type



Power supply cord (NEMA Type 10-30R):

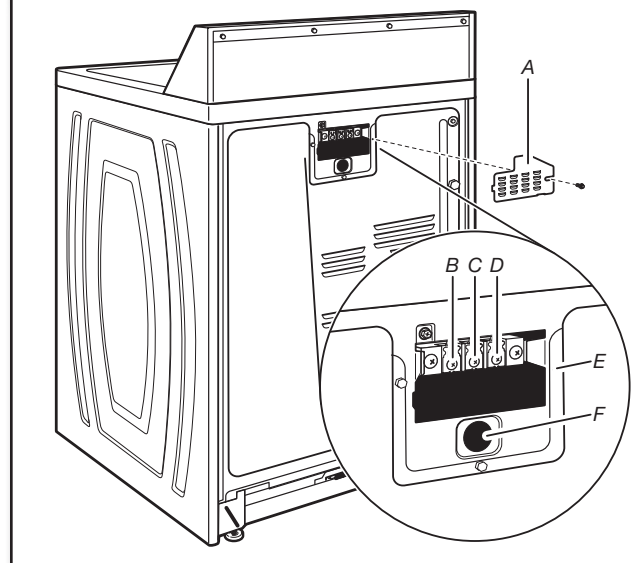
Go to steps 1-2 on page 16 for power supply cord strain relief: then steps 3-5 for Power Supply Cord Connection section. Then go to Venting Requirements.



Direct wire connection: Go to steps 1-2 on page 16 for direct wire strain relief: then steps 3-7 for Direct Wire Connection section. Then go to Venting Requirements.

NOTE: If local codes do not permit connection of a cabinet-ground conductor to neutral wire, go to "Direct Wire Connection" section. This connection may be used with either a power supply cord or a direct wire connection.

2. Remove terminal block cover

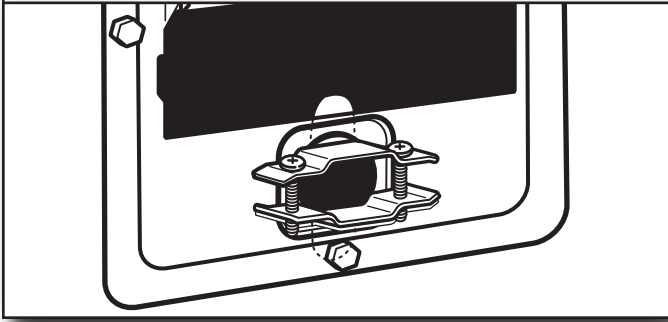


Before you start, disconnect power. Remove hold-down screw (D) and terminal block cover (A).

- A. Terminal block cover
- B. External ground conductor screw
- C. Center, silver-colored terminal block screw
- D. Hold-down screw
- E. Neutral ground wire
- F. Hole below terminal block cover

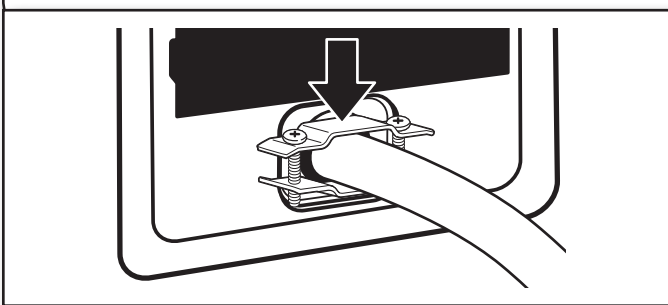
Power supply cord strain relief

1. Attach power supply cord strain relief



Remove the screws from a 3/4" (19 mm) UL listed strain relief (UL marking on strain relief). Put the tabs of the two clamp sections (C) into the hole (B) below the terminal block opening so that one tab is pointing up (A) and the other is pointing down (D), and hold in place. Tighten strain relief screws just enough to hold the two clamp sections (C) together.

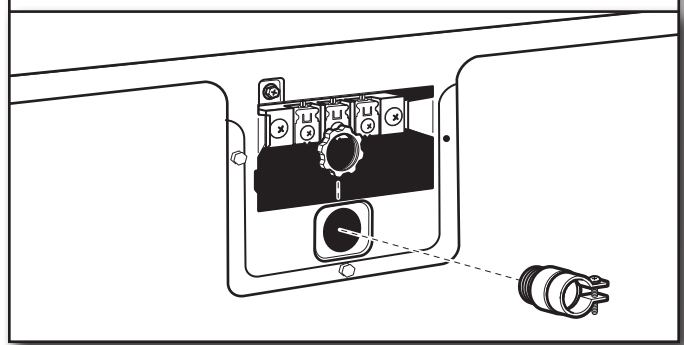
2. Attach power supply cord to strain relief



Put power supply cord through the strain relief. Be sure that the wire insulation on the power supply cord is inside the strain relief. The strain relief should have a tight fit with the dryer cabinet and be in a horizontal position. Do not further tighten strain relief screws at this point.

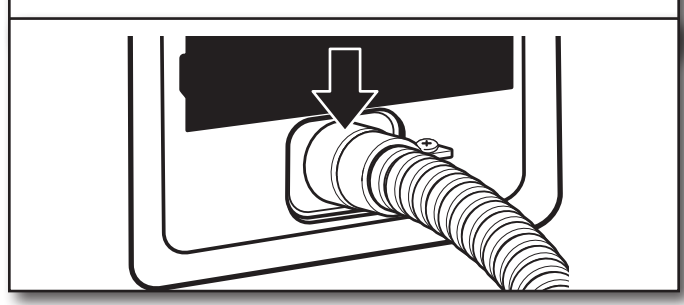
Direct wire strain relief

1. Attach direct wire strain relief



Unscrew the removable conduit connector (A) and any screws from a 3/4" (19 mm) UL listed strain relief (UL marking on strain relief). Put the threaded section of the strain relief through the hole (B) below the terminal block opening. Reaching inside the terminal block opening, screw the removable conduit connector onto the strain relief threads (C).

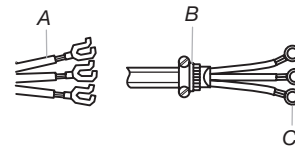
2. Attach direct wire cable to strain relief



Put direct wire cable through the strain relief. The strain relief should have a tight fit with the dryer cabinet and be in a horizontal position. Tighten strain relief screws.

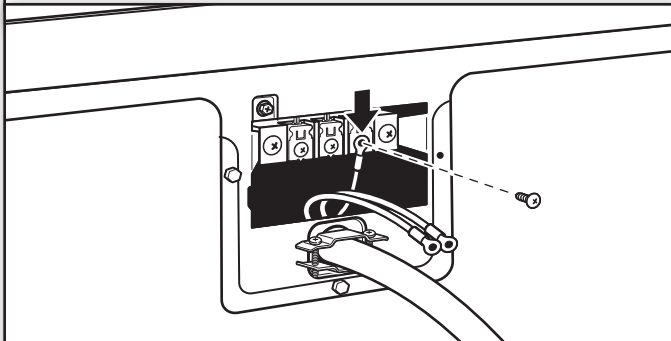
Power Supply Cord Connection

Use where local codes permit connecting cabinet-ground conductor to neutral wire:



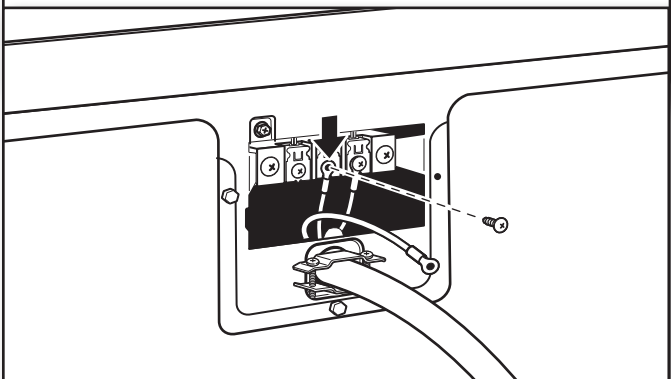
- A. Spade terminal with up turned ends
- B. 3/4" (19 mm) UL listed strain relief
- C. Ring terminals

3. Connect neutral wire



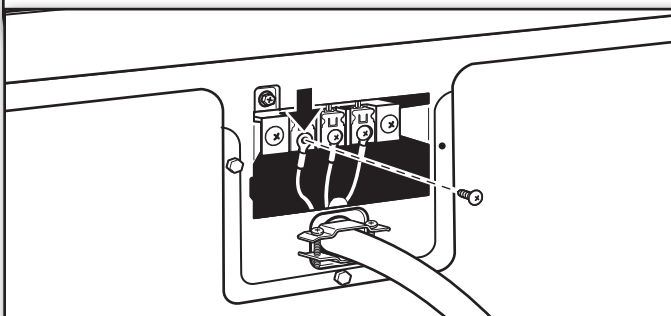
Connect neutral wire (blue) of power supply cord to the right terminal screw of the terminal block. Tighten screw.

4. Connect ground wire



Connect ground wire to the center terminal. Tighten screw.

5. Connect active wire

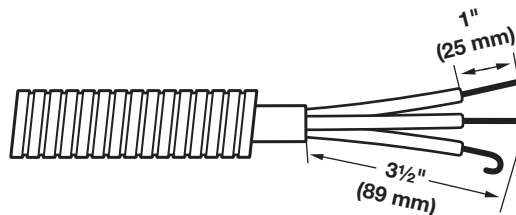


Connect active wire (brown) to the left terminal. Tighten screw and strain relief screws.

Finally, reinsert tab of terminal block cover into slot of dryer rear panel. Secure cover with hold-down screw. Now, go to Venting Requirements.

Direct Wire Connection

3. Prepare your 3-wire cable for direct connection



Direct wire cable must have 5 ft. (1.52 m) of extra length so dryer may be moved if needed.

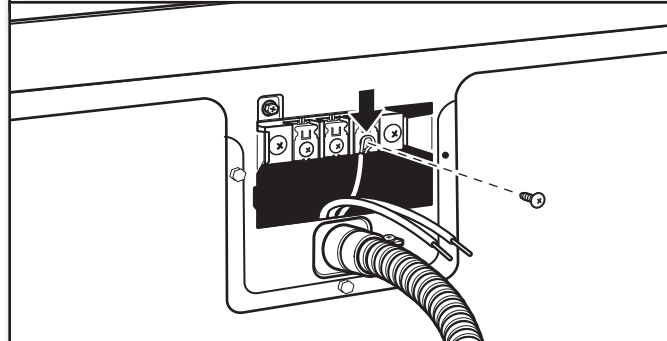
Strip 3 1/2" (89 mm) of outer covering from end of cable. Strip insulation back 1" (25 mm). If using 3-wire cable with ground wire, cut bare wire even with outer covering. Shape wire ends into hooks.

4. Connect wires to terminal block



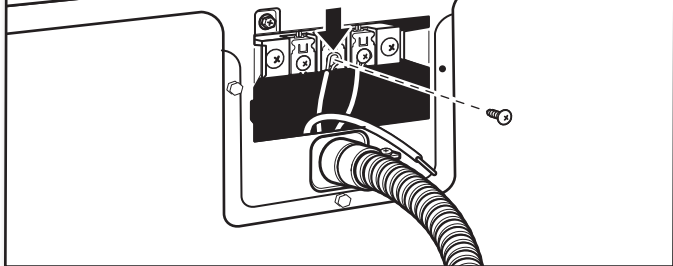
To connect wires to terminal block, place hooked end of wire under terminal block screw, facing to the right, squeeze hooked end together and tighten screw.

5. Connect neutral wire



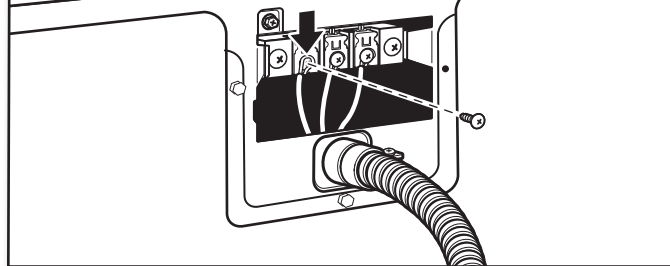
Place hooked end of neutral wire (blue) of power supply cable under the right screw of terminal block (hook facing right). Squeeze hooked end together. Tighten screw.

6. Connect ground wire



Place hooked end of ground wire power supply cable under the center terminal block screw (hook facing right). Squeeze hooked end together and tighten screw.

7. Connect active wire




Place hooked end of the active wire (brown) power supply cable under the left terminal block screw (hook facing right). Squeeze hooked end together. Tighten screw and strain relief screw.

Finally, reinsert tab of terminal block cover into slot of dryer rear panel. Secure cover with hold-down screw. Now, go to Venting Requirements.

VENTING

Venting Requirements

⚠ WARNING



Fire Hazard

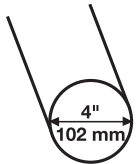
- Use a heavy metal vent.**
- Do not use a plastic vent.**
- Do not use a metal foil vent.**

Failure to follow these instructions can result in death or fire.

WARNING: To reduce the risk of fire, this dryer MUST BE EXHAUSTED OUTDOORS.

IMPORTANT: Observe all governing codes and ordinances.

Dryer exhaust must not be connected into any gas vent, chimney, wall, ceiling, attic, crawlspace, or a concealed space of a building. Only rigid or flexible metal vent shall be used for exhausting.



- Only a 4" (102 mm) heavy metal exhaust vent and clamps may be used. DURASAFE™ venting products are recommended.
- Do not use plastic or metal foil vent.

DURASAFE™ vent products can be purchased from your dealer.

Rigid metal vent:

- Recommended for best drying performance and to avoid crushing and kinking.

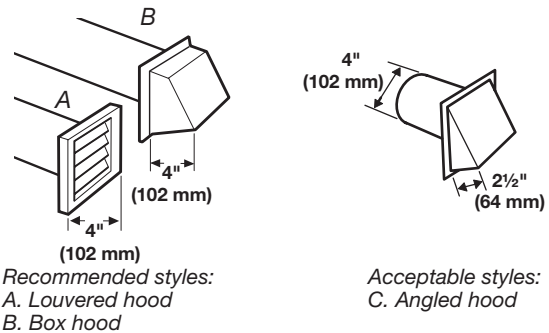
Flexible metal vent: (Acceptable only if accessible to clean)

- Must be fully extended and supported in final dryer location.
- Remove excess to avoid sagging and kinking that may result in reduced airflow and poor performance.
- Do not install in enclosed walls, ceilings, or floors.
- The total length should not exceed 7 3/4 ft. (2.4 m).

NOTE: If using an existing vent system, clean lint from entire length of the system and make sure exhaust hood is not plugged with lint. Replace plastic or metal foil vents with rigid metal or flexible metal vents. Review Vent system chart and if necessary, modify existing vent system to achieve best drying performance.

Exhaust hoods:

- Must be at least 12" (305 mm) from ground or any object that may obstruct exhaust (such as flowers, rocks, bushes, or snow).

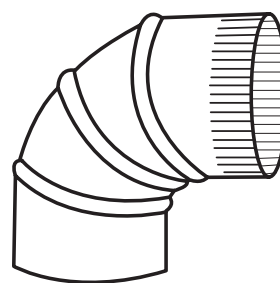


Recommended styles:
A. Louvered hood
B. Box hood

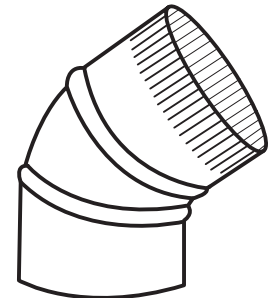
Acceptable styles:
C. Angled hood

Elbows:

- 45° elbows provide better airflow than 90° elbows.



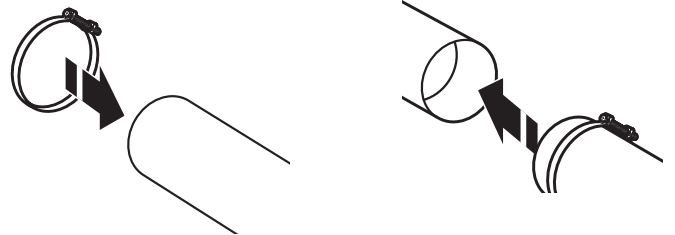
Good



Better

Clamps:

- Use clamps to seal all joints.
- Exhaust vent must not be connected or secured with screws or other fastening devices that extend into interior of duct and catch lint. Do not use duct tape.



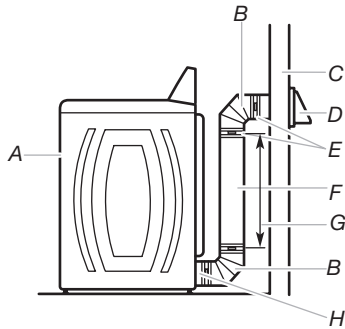
Improper venting can cause moisture and lint to collect indoors, which may result in:

- Moisture damage to woodwork, furniture, paint, wallpaper, carpets, etc.
- Housecleaning problems and health problems.

Plan Vent System

Recommended exhaust installations

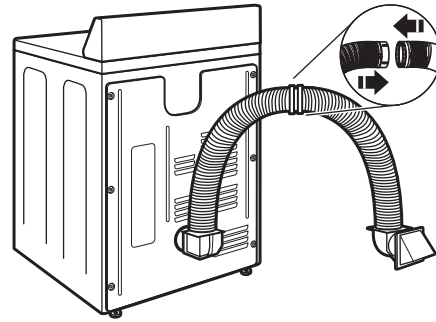
Typical installations vent the dryer from the rear of the dryer. Other installations are possible.



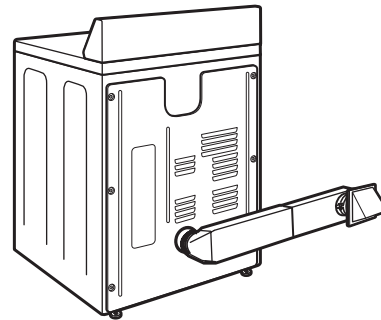
- | | |
|-----------------|--|
| A. Dryer | E. Clamps |
| B. Elbow | F. Rigid metal or flexible metal vent |
| C. Wall | G. Vent length necessary to connect elbows |
| D. Exhaust hood | H. Exhaust outlet |

Alternate installations for close clearances

Venting systems come in many varieties. Select the type best for your installation. Two close-clearance installations are shown. Refer to the manufacturer's instructions.



Over-The-Top installation (also available with one offset elbow)



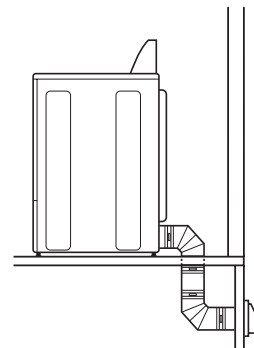
Periscope installation

NOTE: The following kits for close clearance alternate installations are available for purchase. To order, please contact the dealer from whom you purchased your dryer or an authorized service company.


- Over-the-Top Installation:
Part Number 4396028
- Periscope Installation (For use with dryer vent to wall vent mismatch):
Part Number 4396037 - 0" (0 mm) to 18" (457.2 mm) mismatch
Part Number 4396011 - 18" (457.2 mm) to 29" (736.6 mm) mismatch
Part Number 4396014 - 29" (736.6 mm) to 50" (1270 mm) mismatch

Special provisions for mobile home installations:

The exhaust vent must be securely fastened to a noncombustible portion of the mobile home structure and must not terminate beneath the mobile home. Terminate the exhaust vent outside.



⚠ WARNING



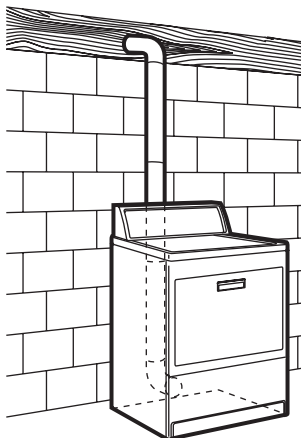
Fire Hazard

Cover unused exhaust holes with a manufacturer's exhaust cover kit.

Contact your local dealer.

Failure to follow these instructions can result in death, fire, electrical shock, or serious injury.

Standard exhaust installation with rigid or flexible metal vent



Determine vent path:

- Select route that will provide straightest and most direct path outdoors.
- Plan installation to use fewest number of elbows and turns.
- When using elbows or making turns, allow as much room as possible.
- Bend vent gradually to avoid kinking.
- Use as few 90° turns as possible.

Determine vent length and elbows needed for best drying performance:

- Use following Vent System Chart to determine type of vent material and hood combinations acceptable to use.

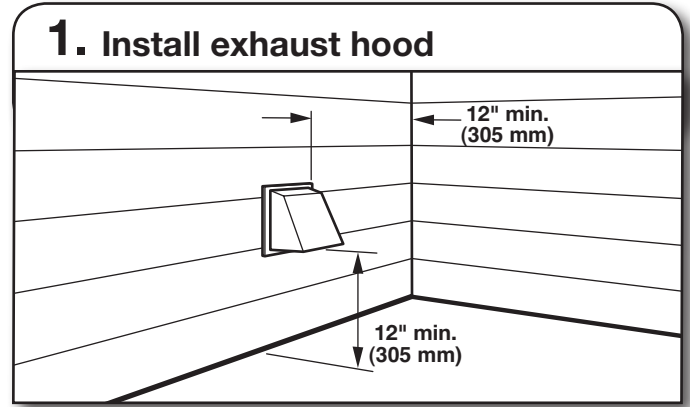
NOTE: Do not use vent runs longer than those specified in Vent system chart. Exhaust systems longer than those specified will:

- Shorten life of dryer.
- Reduce performance, resulting in longer drying times and increased energy usage.

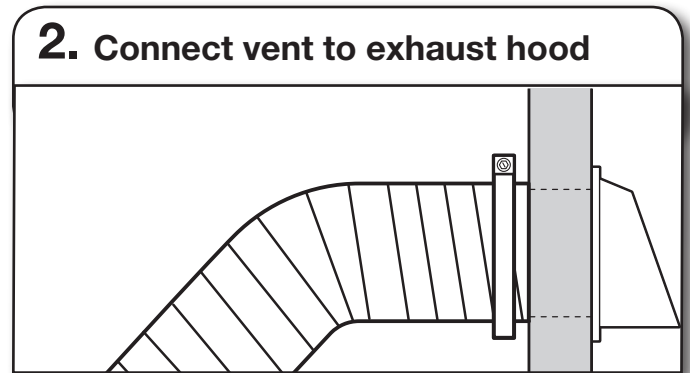
The Vent System Chart provides venting requirements that will help achieve best drying performance.

Vent System Chart			
Number of 90° turns or elbows	Type of vent	Box/louvered hoods	Angled hoods
0	Rigid metal	64 ft. (20 m)	58 ft. (17.7 m)
1	Rigid metal	54 ft. (16.5 m)	48 ft. (14.6 m)
2	Rigid metal	44 ft. (13.4 m)	38 ft. (11.6 m)
3	Rigid metal	35 ft. (10.7 m)	29 ft. (8.8 m)
4	Rigid metal	27 ft. (8.2 m)	21 ft. (6.4 m)

Install Vent System



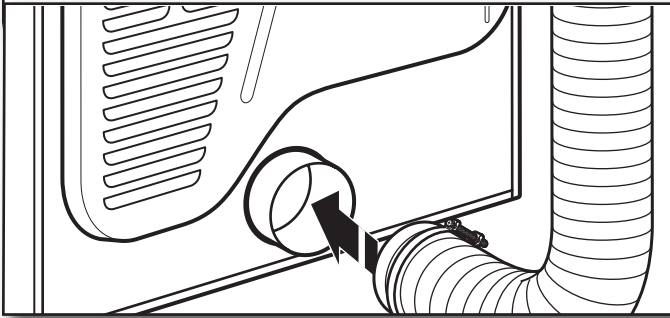
Install exhaust hood and use caulking compound to seal exterior wall opening around exhaust hood.



Vent must fit over the exhaust hood. Secure vent to exhaust hood with 4" (102 mm) clamp. Run vent to dryer location using straightest path possible. Avoid 90° turns. Use clamps to seal all joints. Do not use duct tape, screws, or other fastening devices that extend into interior of vent to secure vent, because they can catch lint.

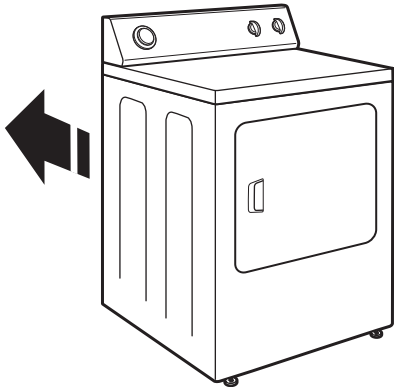
Connect Vent

1. Connect vent to exhaust outlet



Using a 4" (102 mm) clamp, connect vent to exhaust outlet in dryer. If connecting to existing vent, make sure vent is clean. Dryer vent must fit over dryer exhaust outlet and inside exhaust hood. Check that vent is secured to exhaust hood with a 4" (102 mm) clamp.

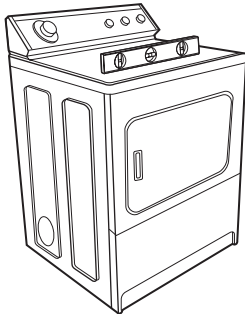
2. Move dryer to final location



Move dryer to final location. Avoid crushing or kinking vent. After dryer is in place, remove corner posts and cardboard from under the dryer.

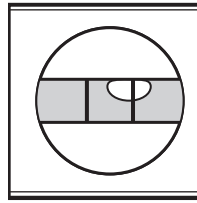
Level Dryer

1. Level Dryer

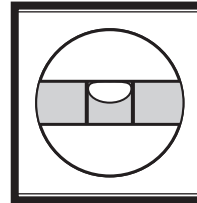


Check levelness of dryer from side to side. Repeat from front to back.

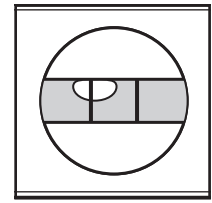
NOTE: The dryer must be level for the moisture sensing system to operate correctly.



Not Level

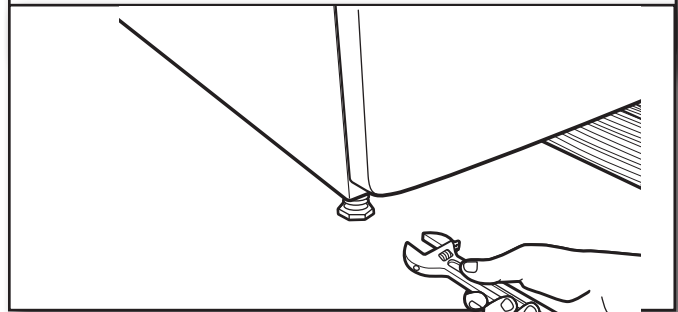


LEVEL



Not Level

2. Tighten and adjust leveling legs



If dryer is not level, prop up using a wood block, use wrench to adjust legs up or down, and check again for levelness. Once legs are level, make sure all four legs are snug against the ground before tightening them.

Complete Installation Checklist

- Check that all parts are now installed. If there is an extra part, go back through steps to see what was skipped.
- Check that you have all of your tools.
- Dispose of/recycle all packaging materials.
- Check dryer's final location. Be sure vent is not crushed or kinked.
- For power supply cord installation, plug into an outlet. For direct wire installation, turn on power.
- Check that dryer is level. See "Level Dryer".
- Remove film on console and any tape remaining on dryer.
- Wipe dryer drum interior thoroughly with a damp cloth to remove any dust.
- Read "Dryer Use" in your Use and Care Guide.
- Set the dryer on a full heat cycle (not an air cycle) for 20 minutes and start the dryer.

If the dryer will not start, check the following:

- Controls are set in a running or "On" position.
- Start button has been pushed firmly.
- Dryer is plugged into an outlet and/or electrical supply is on.
- Household fuse is intact and tight, or circuit breaker has not tripped.
- Dryer door is closed.

- When the dryer has been running for 5 minutes, open the dryer door and feel for heat. If you feel heat, cancel cycle and close the door.

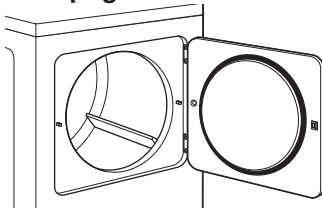
If you do not feel heat, turn off dryer, and check the following:

- There may be 2 household fuses or circuit breakers for the dryer. Check that both fuses are intact and tight, or that both circuit breakers have not tripped. If there is still no heat, contact a qualified technician.

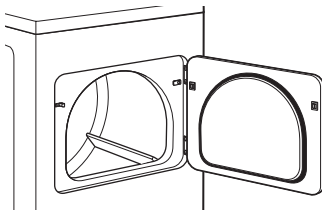
NOTE: You may notice an odor when the dryer is first heated. This odor is common when the heating element is first used. The odor will go away.

Reverse Door Swing (Optional)

If your door is the Large Side-Swing Door, follow steps 1-6 on page 23.



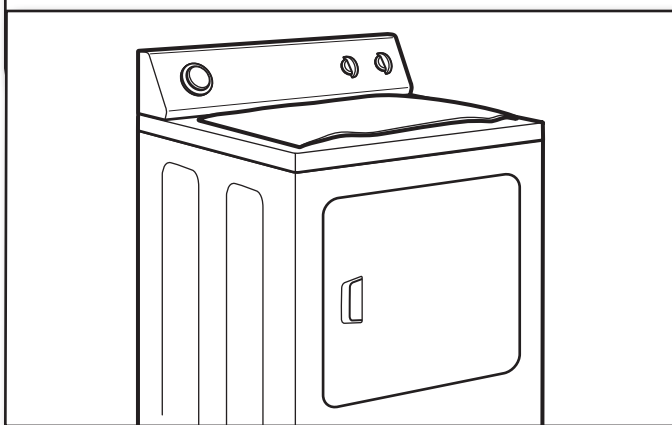
If your door is the Super Wide Side-Swing Door, follow steps 1-13 on page 24.



NOTE: Magnetized screw driver is helpful.

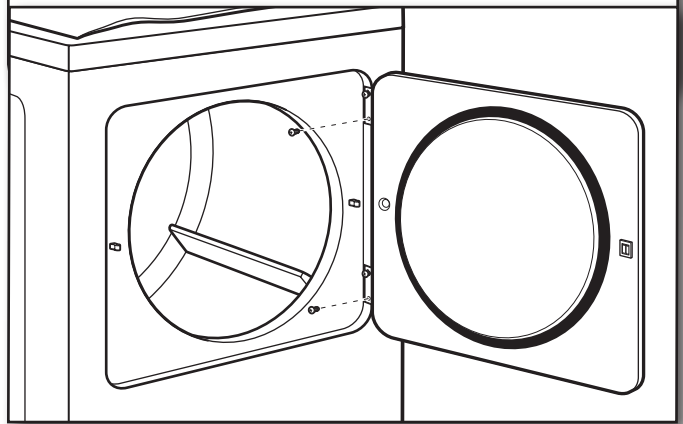
Large Side-Swing Door

1. Place towel on dryer



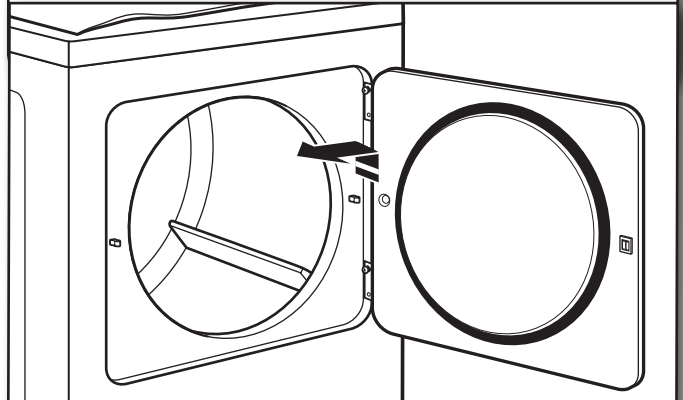
Place towel on top of dryer to avoid damaging the surface.

2. Remove bottom screws



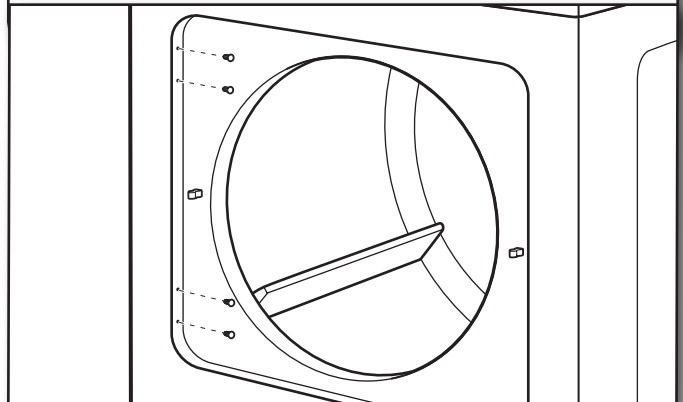
Open dryer door. Remove bottom screws from dryer cabinet side of hinges. Loosen (do not remove) top screws from dryer cabinet side of hinges.

3. Lift door off top screws



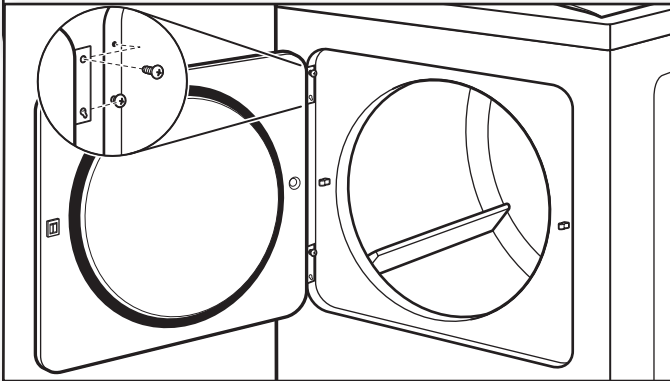
Lift door until top screws in cabinet are in large part of hinge slot. Pull door forward off screws. Set door on top of dryer. Remove top screws from dryer cabinet.

4. Remove and transfer hinge hole plugs



Use a small, flat-blade screwdriver to gently remove 4 hinge hole plugs on left side of dryer cabinet. Insert plugs into hinge holes on opposite side of dryer cabinet.

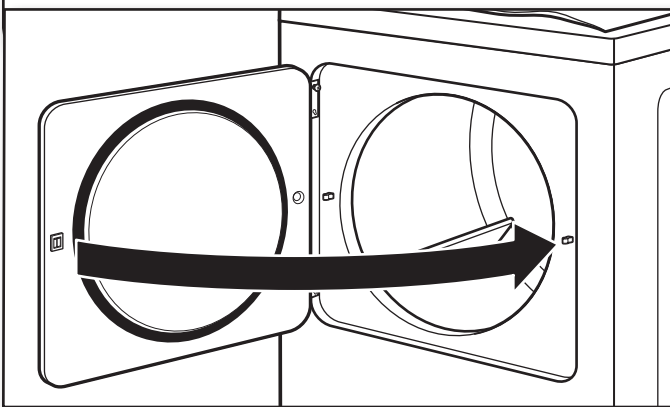
5. Insert screws in hinge holes on dryer cabinet



NOTE: Two people maybe needed to reinstall door.

Insert screws into bottom holes on left side of dryer cabinet. Tighten screws halfway. Position door so large end of door hinge slot is over screws. Slide door up so screws are in bottom of slots. Tighten screws. Insert and tighten top screws in hinges.

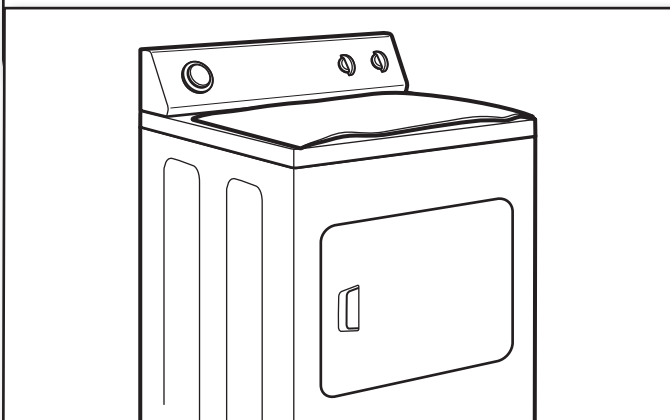
6. Check door strike alignment



Close door and check that door strike aligns with door catch. If needed, slide door catch left or right within slot to adjust alignment.

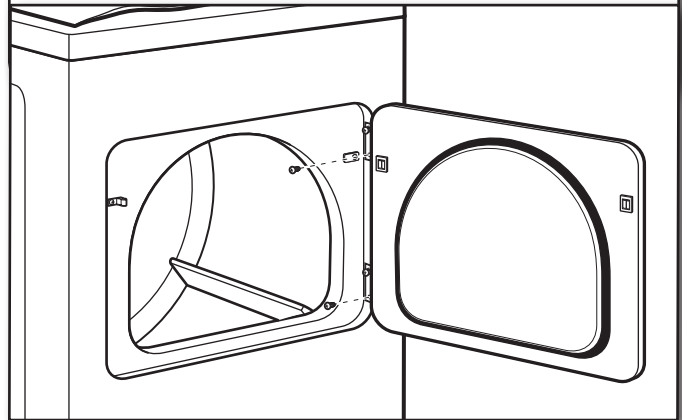
Super Wide Side-Swing Door

1. Place towel on dryer



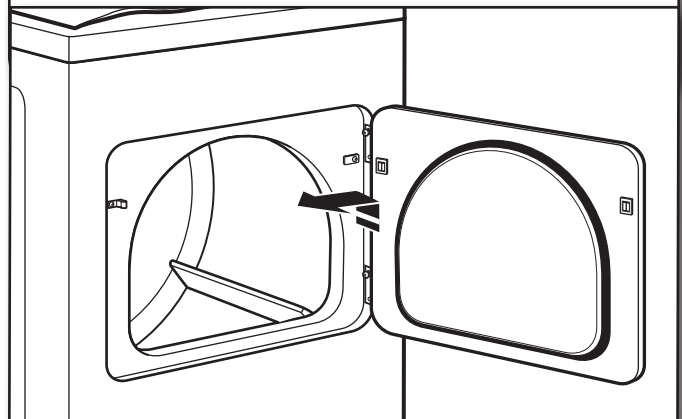
Place towel on top of dryer to avoid damaging the surface.

2. Remove bottom screws



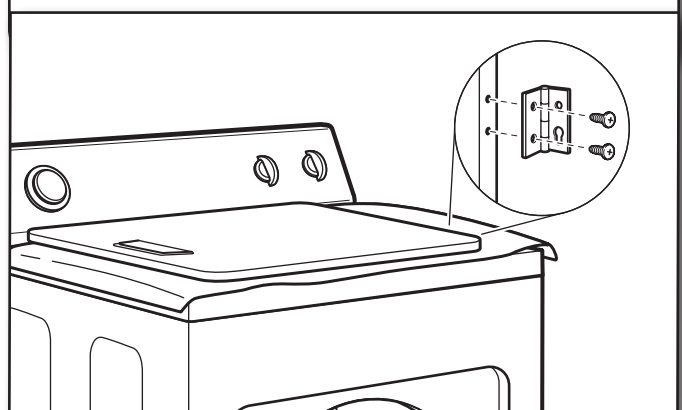
Open dryer door. Remove bottom screws from dryer cabinet side of hinges. Loosen (do not remove) top screws from dryer cabinet side of hinges.

3. Lift door off top screws



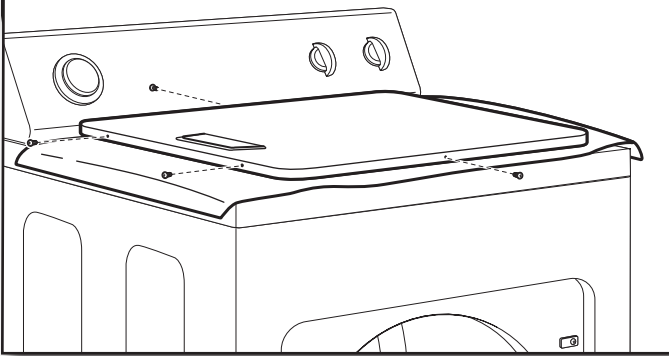
Lift door until top screws in dryer cabinet are in large part of hinge slot. Pull door forward off screws. Set door (handle side up) on top of dryer. Remove top screws from dryer cabinet.

4. Remove screws from hinges



Remove screws attaching hinges to door.

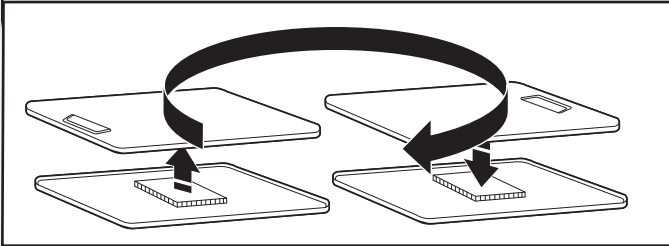
5. Remove screws from door



Remove screws at top, bottom, and side of door (4 screws). Keep door screws separate from hinge screws as they are different sizes. Holding door over towel on dryer, grasp sides of outer door and lift to separate it from inner door.

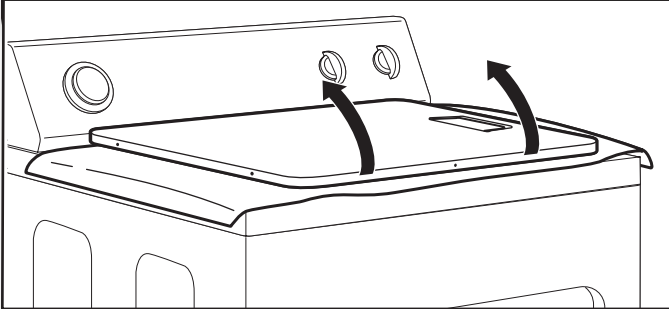
NOTE: Do not pry apart with putty knife or screwdriver. Do not pull on door seal or plastic door catches.

6. Rotate outer door



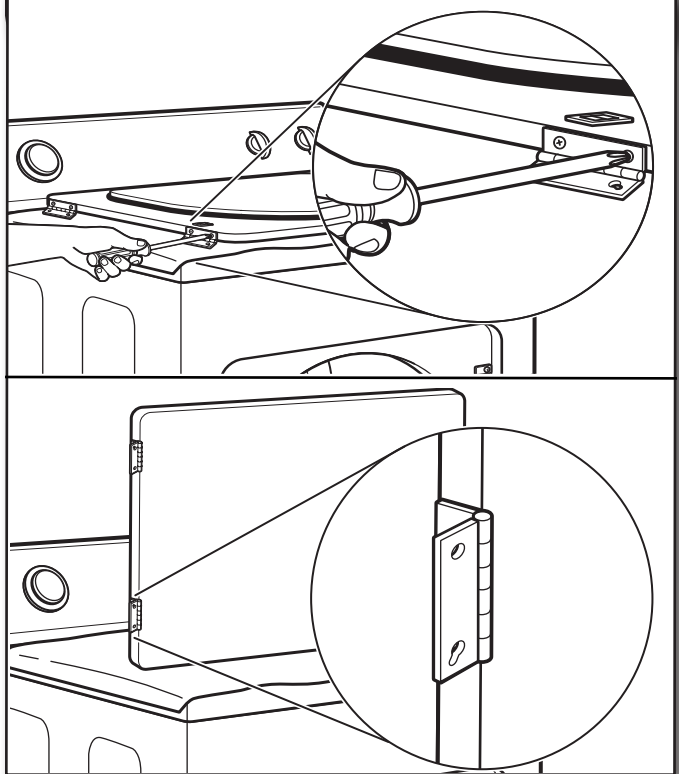
Take outer door and rotate in 180° and set it back down on inner door. Be certain to keep cardboard spacer centered between doors. Reattach outer door panel to inner door panel so handle is on the side where hinges were just removed. Insert 4 door screws.

7. Flip door over



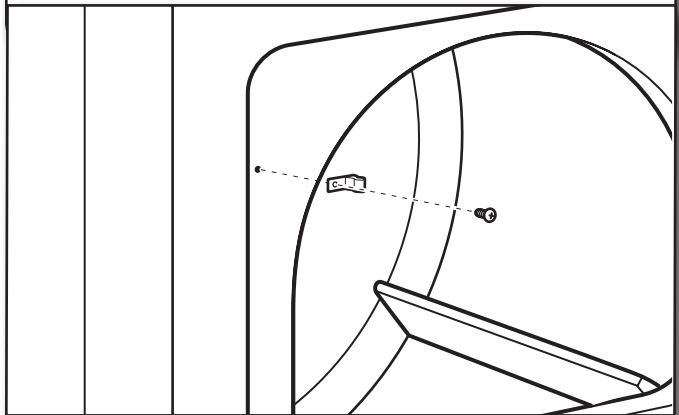
Flip door over so handle side is down.

8. Attach door hinges



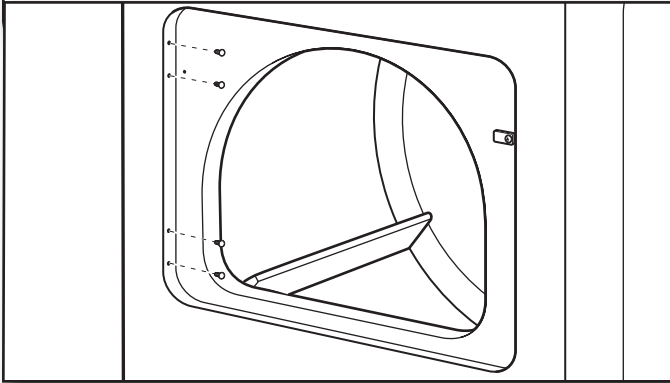
Reattach door hinges to dryer door so that the larger hole is at the bottom of the hinge.

9. Remove door strike



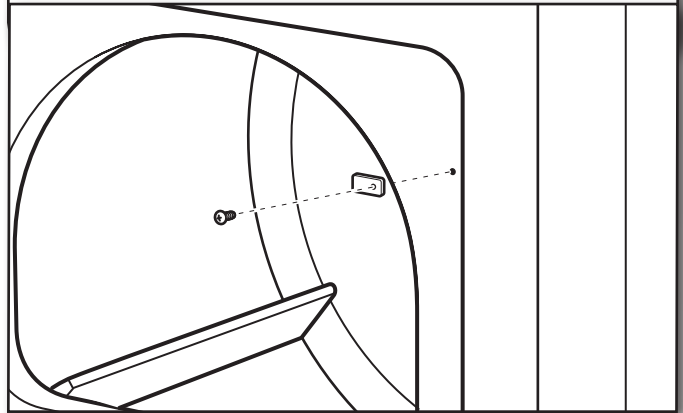
Remove door strike from dryer cabinet and set aside.

10. Remove and transfer hinge hole plugs



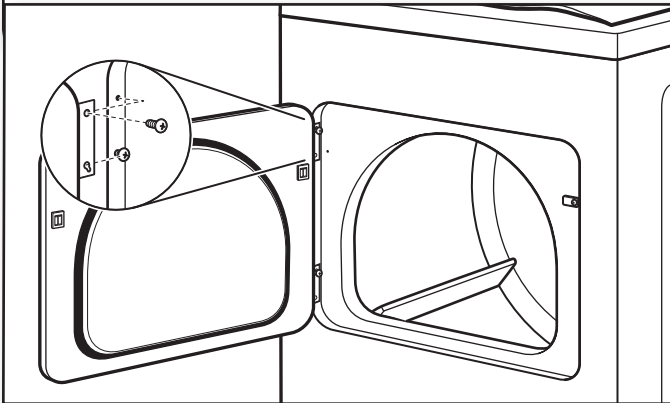
Use a small, flat-blade screwdriver to gently remove 4 hinge hole plugs on left side of dryer cabinet. Transfer plugs into hinge holes on opposite side of dryer cabinet.

12. Remove door strike plug



Remove door strike plug. Insert the door strike removed in Step 9 into hole and secure with screw. Insert door strike plug into original door strike hole and secure with screw.

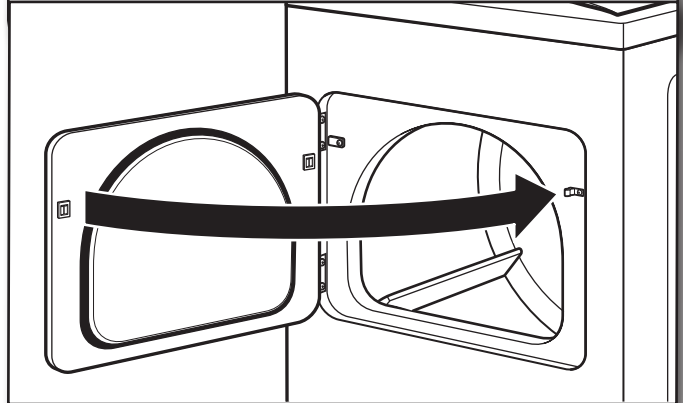
11. Insert screws in hinge holes on dryer cabinet



NOTE: Two people maybe needed to reinstall door.

Insert screws into the bottom holes on left side of dryer cabinet. Tighten screws halfway. Position door so large end of door hinge slot is over screws. Slide door up so screws are in bottom of slots. Tighten screws. Insert and tighten top screws in hinges.

13. Check door strike alignment



Close door and check that door strike aligns with door catch. If it is needed, slide door catch left or right within slot to adjust alignment.

TROUBLESHOOTING

First try the solutions suggested here to possibly avoid the cost of a service call.

If you experience	Possible Causes	Solution
Dryer Operation		
Dryer will not run	Door not closed completely.	Make sure the dryer door is closed completely.
	PUSH TO START button not pressed firmly or held long enough.	Press and hold the PUSH TO START button until you hear the dryer drum moving.
	Household fuse is blown or circuit breaker has tripped.	Electric dryers use 2 household fuses or circuit breakers. The drum may be turning, but you may not have heat. Replace the fuse or reset the circuit breaker. If the problem continues, call an electrician.
	Incorrect power supply.	Electric dryers require 240-volt power supply. Check with a qualified electrician.
	Wrong type of fuse.	Use a time-delay fuse.
No heat	Household fuse is blown or circuit breaker has tripped.	The drum may be turning, but you may not have heat. Electric dryers use 2 household fuses or circuit breakers. Replace the fuse or reset the circuit breaker. If the problem continues, call an electrician.
	Incorrect power supply.	Electric dryers require 240-volt power supply. Check with a qualified electrician.
Unusual sounds	Dryer have a period of non-use.	If the dryer hasn't been used for awhile, there may be a thumping sound during the first few minutes of operation.
	A coin, button, or paper clip is caught between the drum and front or rear of the dryer.	Check the front and rear edges of the drum for small objects. Clean out pockets before laundering.
	The four legs are not installed, or the dryer is not level front to back and side to side.	The dryer may vibrate if not properly installed. See "Installation Instructions" section.
	Clothing knotted or balled up.	When balled up, the load will bounce, causing the dryer to vibrate. Separate the load items and restart the dryer.
Timer does not noticeably advance	Has the dryer been set to Timed or Fluff Air/Air Dry/No Heat Fluff.	The timer moves slowly and continuously for the timed setting.
	Has the dryer been set to Automatic Dry.	The timer moves only when the clothing is mostly dry.
Dryer Results		
Clothes are not drying satisfactorily, drying times are too long, or load is too hot	Lint screen clogged with lint.	Lint screen should be cleaned before each load.
	Has the Fluff Air/Air Dry/No Heat Fluff cycle been selected.	Select the right cycle for the types of garments being dried. See "Fluff Air/Air Dry/No Heat Fluff."
	Load too large and heavy to dry quickly.	Separate the load to tumble freely.
	Exhaust vent or outside exhaust hood clogged with lint, restricting air movement.	Run the dryer for 5-10 minutes. Hold your hand under the outside exhaust hood to check air movement. If you do not feel air movement, clean exhaust system of lint or replace exhaust vent with heavy metal or flexible metal vent. See "Installation Instructions" section.
	Fabric softener sheets blocking the grille.	Use only one fabric softener sheet, and use it only once.
	Exhaust vent not the correct length.	Check that the exhaust vent is not too long or has too many turns. Long venting will increase drying times. See "Installation Instructions" section.
	Exhaust vent diameter the correct size.	Use 4" (102 mm) diameter vent material.

TROUBLESHOOTING cont.

First try the solutions suggested here to possibly avoid the cost of a service call.

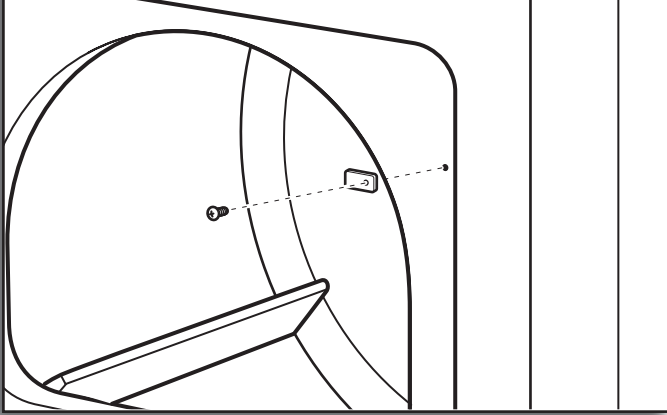
If you experience	Possible Causes	Solution
Dryer Results (cont.)		
Clothes are not drying satisfactorily, drying times are too long, or load is too hot (cont.)	Dryer located in a room with temperature below 45°F (7°C).	Proper operation of dryer cycles requires temperatures above 45°F (7°C).
	Dryer located in a closet.	Closet doors must have ventilation openings at the top and bottom of the door. The front of the dryer requires a minimum of 1" (25 mm) of airspace, and, for most installations, the rear of the dryer requires 5" (127 mm). See "Installation Instructions" section.
Cycle time too short	Automatic cycle ending early.	The load may not be contacting the sensor strips. Level the dryer.
		Use Timed Dry for very small loads. Change the dryness level setting on Automatic Cycles. Increasing or decreasing the dryness level will change the amount of drying time in a cycle.
Lint on load	Lint screen clogged.	Lint screen should be cleaned before each load.
Stains on load or drum	Dryer fabric softener properly used.	Add dryer fabric softener sheets at the beginning of the cycle. Fabric softener sheets added to a partially dried load can stain your garments.
		Drum stains are caused by dyes in clothing (usually blue jeans). These will not transfer to other clothing.
Loads are wrinkled	Load removed from dryer at the end of the cycle.	Use a cycle with Wrinkle Prevent (on some models) to tumble the load without heat to avoid wrinkling.
	Dryer tightly packed.	Dry smaller loads that can tumble freely.
Odors	You have recently been painting, staining, or varnishing in the area where your dryer is located.	If so, ventilate the area. When the odors or fumes are gone from the area, rewash and dry the clothing.
	The electric dryer is being used for the first time.	The new electric heating element may have an odor. The odor will be gone after the first cycle.
Load is too hot	Laundry items were removed from the dryer before the end of the cycle.	Allow the Cool Down cycle to finish before removing laundry from dryer. All cycles are cooled slowly to reduced wrinkling and make it easier to handle. Items removed before Cool Down may feel very warm.
	A high temperature cycle used or Temperature/Fabric control was set to high.	Select a lower temperature, and use an automatic drying cycle. These cycles sense the temperature or the moisture level in the load and shut off when the load reaches the selected dryness. This reduces overdrying.

حل المشاكل تابع.

جرب الحلول المقترحة هنا أولاً لكي تتجنب تكلفة مكالمة الخدمة قدر الإمكان.		
الحل	الأسباب المحتملة	إذا واجهت
نتائج المجفف (تابع)		
يتطلب التشغيل السليم لدورات المجفف درجات الحرارة فوق 45 درجة فهرنهايت (7 درجات مئوية).	المجفف الموجود في غرفة بدرجة حرارة أقل من 45 درجة فهرنهايت (7 درجات مئوية).	لا تجف الملابس بصورة مرضية أو أوقات التجفيف طويلة جداً أو الحمولة ساخنة جداً (تابع)
يجب أن يكون في أبواب الخزانة فتحات تهوية أعلى وأسفل الباب. ويتطلب الجزء الأمامي للمجفف حداً أدنى للمساحة من بوصة واحدة (25 مم) وبالنسبة لمعظم التركيبات، يتطلب الجزء الخلفي للمجفف 5 بوصة (127 مم). راجع "إرشادات التركيب".	المجفف موجود في خزانة.	
قد لا تكون الحمولة متصلة بشرائط الاستشعار. قم بتسوية المجفف.	تنتهي الدورة التلقائية في وقت مبكر.	مدة الدورة قصيرة جداً
استخدم التجفيف الموقوت للحمولات الصغيرة جداً. قم بتغيير إعداد مستوى الجفاف للدورات التلقائية. وسوف تغير زيادة أو خفض مستوى الجفاف مقدار وقت التجفيف في الدورة.		
يجب تنظيف مصفاة النسالة قبل كل حمولة.	مصفاة النسالة مسدودة.	نسالة على الحمولة
أضف أوراق ملين النسيج للمجفف في بداية الدورة. قد تلطخ إضافة أوراق ملين النسيج للحمولة المجففة جزئياً ملابسك.	استخدام ملين النسيج للمجفف بالشكل الصحيح.	بقع على الحمولة أو الحلة
تسبب بقع الحلة الأصباغ في الملابس (الجينز الأزرق عادة). ولن تنتقل إلى غيرها من الملابس.		
استخدم دورة بمنع التجعد (في بعض الموديلات) لتقليب الحمولة بدون حرارة لتجنب التجعيد.	الحمولة مزلة من المجفف في نهاية الدورة.	تتجدد الحمولات
جفف حمولات صغيرة التي يمكن أن تنقلب بحرية.	المجفف معبأ بإحكام.	
إذا كان الأمر كذلك، قم بتهوية المنطقة. عندما تزول الروائح أو الأبخرة من المنطقة قم بإعادة غسل وتجفيف الملابس.	قد كنت تطلي أو تلون أو تورنش في المنطقة التي يقع فيها المجفف.	الروائح
يمكن أن يحتوي عنصر التسخين الكهربائي الجديد على رائحة. سنزول الرائحة بعد الدورة الأولى.	يستخدم المجفف الكهربائي لأول مرة.	
اسمح لدورة التبريد بالانتهاء قبل إزالة الغسيل من المجفف. تبرّد جميع الدورات ببطء لتقليل التجعد وتجعله سهل التعامل معه. العناصر التي تتم إزالتها قبل التبريد تعطي شعوراً أنها دافئة جداً.	أزيلت عناصر الغسيل من المجفف قبل نهاية الدورة.	الحمولة ساخنة جداً
حدد درجة الحرارة منخفضة، واستخدام دورة التجفيف التلقائي. تستشعر هذه الدورات درجة الحرارة أو مستوى الرطوبة في الحمولة وتغلق عندما تصل الحمولة إلى الجفاف المحدد. وهذا يقلل فرط التجفيف.	تم استخدام درجة حرارة عالية أو تم ضبط التحكم في درجة الحرارة/النسيج على درجة مرتفعة.	

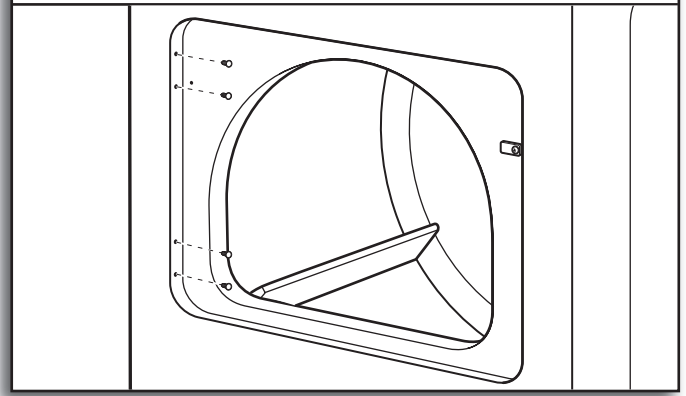
جرب الحلول المقترحة هنا أو لا لكي تتجنب تكلفة مكاملة الخدمة قدر الإمكان.		
الحل	الأسباب المحتملة	إذا واجهت
تشغيل المجفف		
		المجفف لا يدور
تأكد من إغلاق باب المجفف تماما.	الباب ليس مغلق تماما.	
اضغط واستمر في التغط علة زر "ادفع للبدء" حتى تسمع حلة المجفف تتحرك.	زر "ادفع للبدء" ليس مضغوفا بإحكام أو لم يستمر الضغط طويلا بما يكفي.	
تستخدم المجففات الكهربائية منصهرين منزليين أو قاطعي دائرة. قد تكون الحلة دائرة، لكنك ليس لديك حرارة. استبدل المنصهر أو أعد ضبط قاطع الدائرة. إذا استمرت المشكلة، اتصل بمتخصص كهرباء.	المنصهر المنزلي محروق أو قاطع الدائرة متعثر.	
تتطلب المجففات الكهربائية مصدر قدرة 240 فولت. وتحقق مع متخصص كهرباء مؤهل.	مصدر القدرة غير صحيح.	
استخدم منصهر إعاقاة زمنية.	نوع خطأ للمنصهر.	
قد تكون الحلة دائرة، لكنك ليس لديك حرارة. تستخدم المجففات الكهربائية منصهرين منزليين أو قاطعي دائرة. استبدل المنصهر أو أعد ضبط قاطع الدائرة. إذا استمرت المشكلة، اتصل بمتخصص كهرباء.	المنصهر المنزلي محروق أو قاطع الدائرة متعثر.	بدون حرارة
تتطلب المجففات الكهربائية مصدر قدرة 240 فولت. وتحقق مع متخصص كهرباء مؤهل.	مصدر القدرة غير صحيح.	
إذا لم يتم استخدام المجفف لفترة، قد يكون هناك صوت شاذ خلال الدقائق القليلة الأولى للتشغيل.	لم يستخدم المجفف لفترة.	أصوات غير عادية
افحص الحواف الأمامية والخلفية للحلة للأجسام الصغيرة. نظف جيوب الملابس قبل الغسيل.	قطعة نقدية معدنية أو زر أو قصاصه ورق محتبسة بين الحلة والجزء الأمامي أو الخلفي للمجفف.	
قد يهتز المجفف إذا لم يتم تركيبه بشكل صحيح. راجع "إرشادات التركيب".	لم يتم تركيب السيقان الأربعة أو المجفف ليس مستو من الأمام للخلف ومن الجانب للجانب.	
عندما تتكرر، ترتد الحمولة، مما يتسبب في اهتزاز المجفف. افصل عناصر الحمولة وأعد تشغيل المجفف.	الملابس معقودة أو منكورة.	
يتحرك المؤقت ببطء وباستمرار بسبب الإعداد الموقوت.	هل تم ضبط المجفف على الموقوت أم نفخ الهواء/تجفيف هوائي/نفخ بدون حرارة؟	لا يتقدم المؤقت بشكل ملحوظ
يتحرك المؤقت فقط عندما تكون الملابس جافة في الغالب.	هل تم ضبط المجفف على التجفيف التلقائي؟	
نتائج المجفف		
يجب تنظيف مصفاة النسالة قبل كل حمولة.	مصفاة النسالة مسدودة بالنسالة.	لا تجف الملابس بصورة مرضية أو أوقات التجفيف طويلة جدا أو الحمولة ساخنة جدا
حدد الدورة الصحيحة لأنواع الملابس التي تجففها. راجع "نفخ الهواء/تجفيف هوائي/نفخ بدون حرارة".	هل تم تحديد دورة نفخ الهواء/تجفيف هوائي/نفخ بدون حرارة؟	
افصل الحمولة لتتقلب بحرية.	الحمولة أكبر وأثقل من أن تجف بسرعة.	
قم بتشغيل المجفف لمدة 5-10 دقائق. ضع يدك تحت غطاء العادم الخارجي لفحص حركة الهواء. إذا لم تشعر بحركة الهواء، نظف نظام تهوية العادم من النسالة أو استبدل أنبوب تهوية العادم بأنبوب معادني ثقيل أو مرن. راجع "إرشادات التركيب".	أنبوب تهوية العادم أو غطاء العادم الخارجي مسدود بالنسالة، وتقيد حركة الهواء.	
استخدم فقط ورقة واحدة لملمين النسيج واستخدامها مرة واحدة فقط.	ورق المادة المليئة للنسيج تسد المصبغة.	
تأكد أن أنبوب تهوية العادم ليس طويلا جدا أو ليس به حنيات كثيرة جدا. ويزيد نظام التهوية الطويل مرات التجفيف. راجع "إرشادات التركيب".	طول أنبوب تهوية العادم ليس صحيحا.	
استخدم مادة أنبوب تهوية قطرها 4 بوصة (102 مم).	حجم محيط أنبوب تهوية العادم ليس صحيحا.	

12. إزالة سدادة عائق الباب



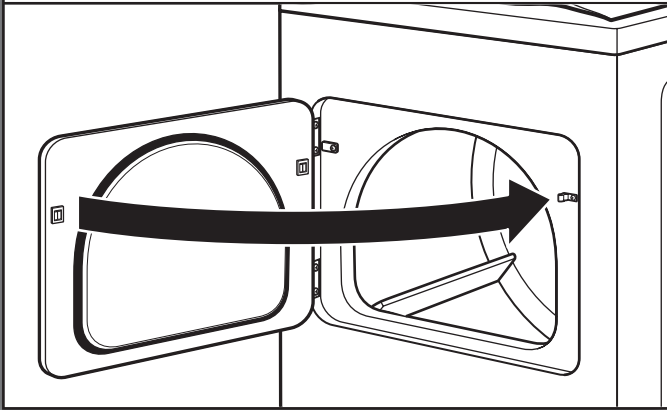
قم بإزالة سدادة عائق الباب. أدخل عائق الباب الذي أزالته في الخطوة 9 في الثقب وأحكم بالمسمار. أدخل سدادة عائق الباب في ثقب عائق الباب الأصلي وأحكم بالمسمار.

10. إزالة ونقل سدادات ثقب المفصلة



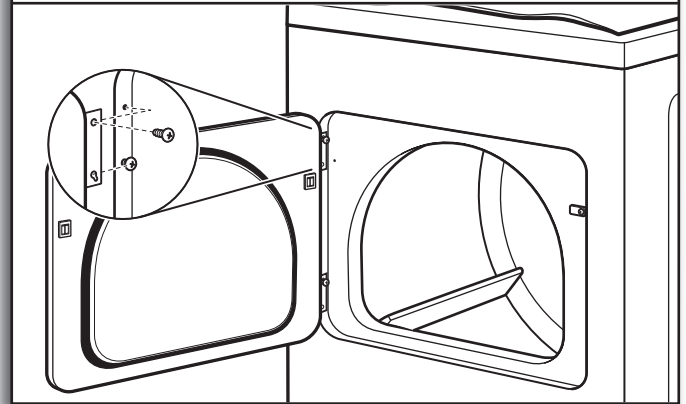
استخدم مفك صغير بشفرة مسطحة لتزيل بلطف 4 سدادات ثقب المفصلة على الجانب الأيسر لكابينة المجفف. انقل السدادات في ثقوب المفصلة على الجانب الآخر لكابينة المجفف.

13. التحقق من محاذاة عائق الباب



أغلق الباب وتأكد أن عائق الباب يحاذي مزلاج الباب. وإذا لزم الأمر، قم بزلق مزلاج الباب إلى اليسار أو اليمين داخل الشقب لضبط المحاذاة.

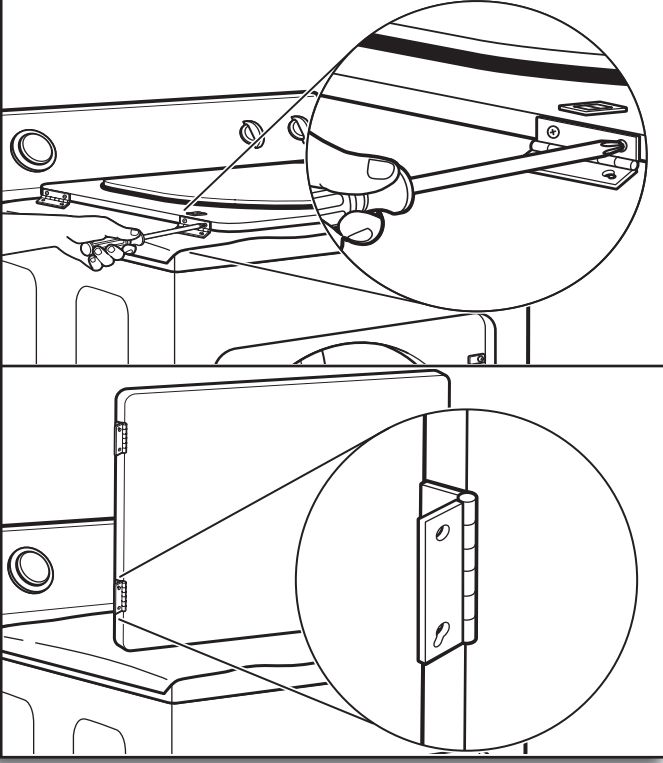
11. أدخل المسامير في فتحات المفصلة على كابينة المجفف



ملاحظة: ربما تحتاج لشخصين لإعادة تركيب الباب.

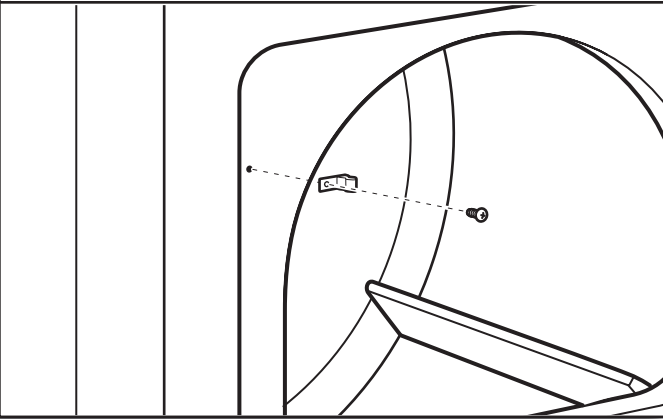
ادخل المسامير في الثقوب السفلية على الجانب الأيسر لكابينة المجفف. اربط المسامير لمنتصف المسافة. ضع الباب حتى يكون الطرف الكبير لشقب مفصلة الباب على المسامير. قم بزلق الباب لأعلى حتى تكون المسامير في الجزء السفلي للثقوب. أحكم ربط المسامير. أدخل وأحكام ربط المسامير العلوية في المفصلات.

8. اربط مفصلات الباب



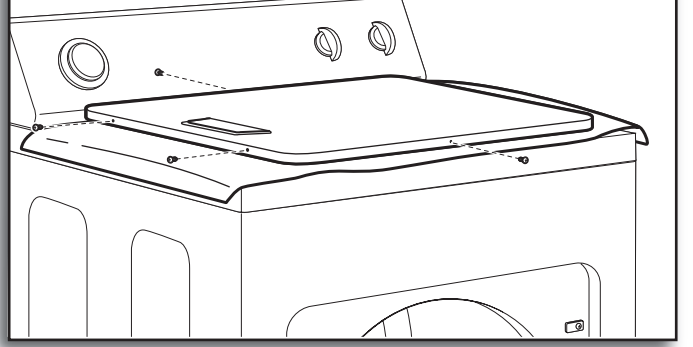
أعد ربط مفصلات الباب بباب المجفف بحيث يكون الثقب الأكبر في أسفل المفصلة.

9. إزالة عائق الباب



قم بإزالة عائق الباب من كابينة المجفف وضعه جانبا.

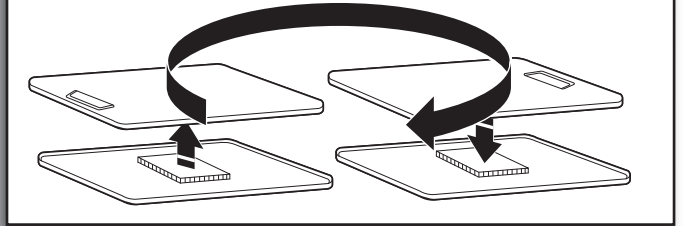
5. إزالة المسامير من الباب



إزالة المسامير من أعلى وأسفل وجانب الباب (4 مسامير). اجعل مسامير الباب منفصلة عن مسامير المفصلات لأن أحجامها مختلفة. وبإمسك الباب على منشفة على المجفف، امسك بإحكام جانبي الباب الخارجي، وارفع لفصله من الباب الداخلي.

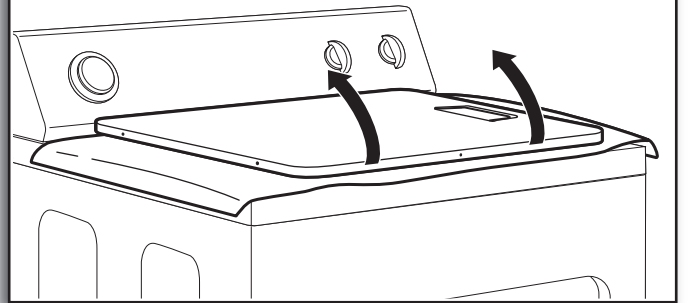
ملاحظة: لا تنزع بسكين معجون أو مفك. لا تسحب سداد الباب أو مزالج الباب البلاستيكية.

6. تدوير الباب الخارجي



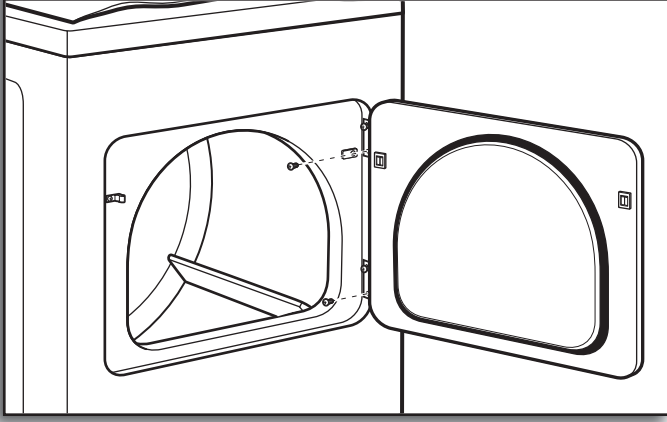
خذ الباب الخارجي ودوره بزاوية 180 درجة وضعه مرة أخرى على الباب الداخلي. تيقن من الإبقاء على المفاصل الكرتون في الوسط بين الأبواب. أعد ربط لوحة الباب الخارجي بلوحة الباب الداخلي حتى يكون المقبض على الجانب الذي تمت إزالة المفصلات منه. أدخل مسامير الباب الأربعة.

7. قلب الباب من أعلى لأسفل



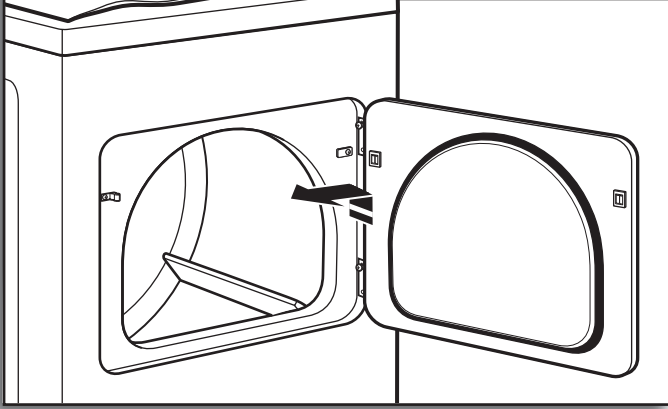
اقلب الباب من أعلى لأسفل حتى يكون جانب المقبض لأسفل.

2. إزالة المسامير السفلية



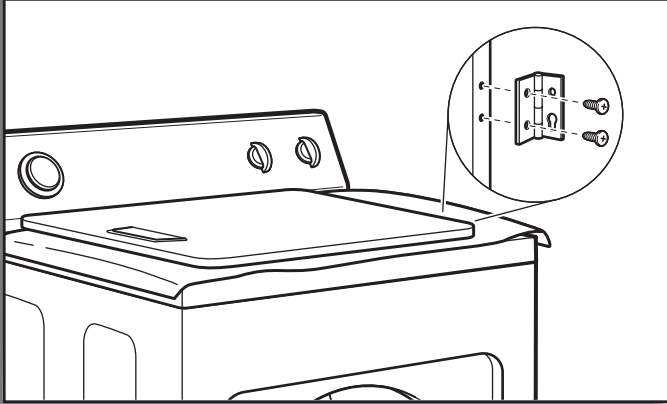
افتح باب المجفف. قم بإزالة المسامير السفلية من جانب كابينة المجفف للمفصلات. قم بفك (لا تزيلها) المسامير العلوية من جانب كابينة المجفف للمفصلات.

3. رفع الباب من المسامير العلوية



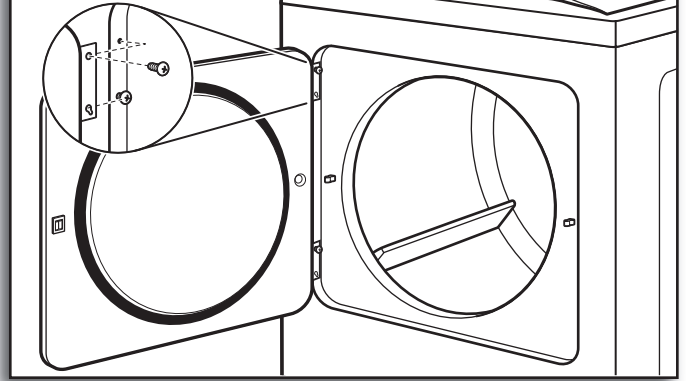
ارفع الباب حتى تكون المسامير العلوية في الكابينة في جزء كبير لشقبة المفصلة. اسحب الباب إلى الأمام من المسامير. ضع الباب أعلى المجفف. قم بإزالة المسامير العلوية من كابينة المجفف.

4. إزالة ونقل سدادات ثقب المفصلة



إزالة المسامير التي تربط المفصلات بالباب.

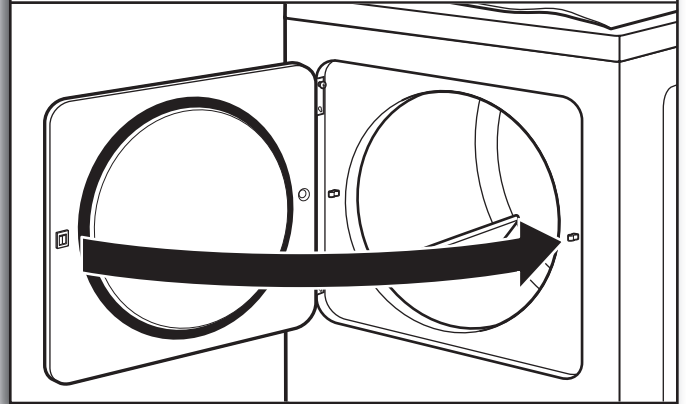
5. أدخل المسامير في فتحات المفصلة على كابينة المجفف



ملاحظة: ربما تحتاج لشخصين لإعادة تركيب الباب.

ادخل المسامير في الثقوب السفلية على الجانب الأيسر لكابينة المجفف. اربط المسامير لمنتصف المسافة. ضع الباب حتى يكون الطرف الكبير لشقبة مفصلة الباب على المسامير. قم بزلق الباب لأعلى حتى تكون المسامير في الجزء السفلي للشقوب. أحكم ربط المسامير. أدخل وأحكم ربط المسامير العلوية في المفصلات.

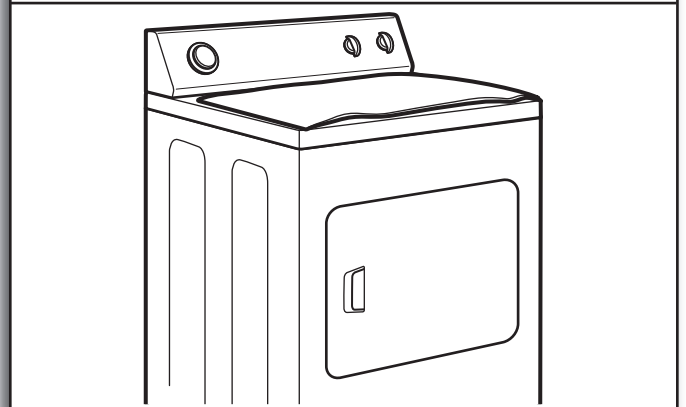
6. التحقق من محاذاة عائق الباب



أغلق الباب وتأكد أن عائق الباب يحاذي مزلاج الباب. إذا لزم الأمر، قم بزلق مزلاج الباب إلى اليسار أو اليمين داخل الشقبة لضبط المحاذاة.

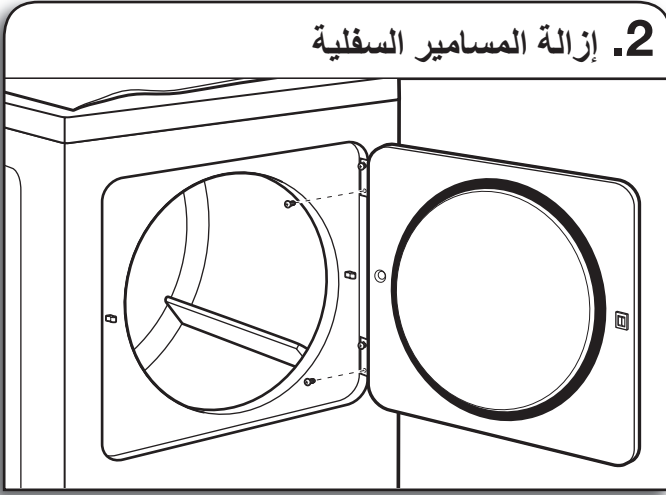
الباب الدوار الجانبي فائق العرض

1. ضع منشفة في المجفف



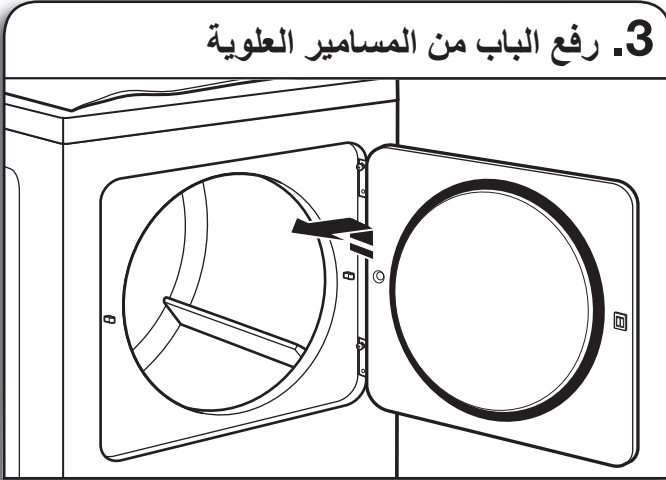
ضع منشفة أعلى المجفف لتجنب إتلاف السطح.

2. إزالة المسامير السفلية



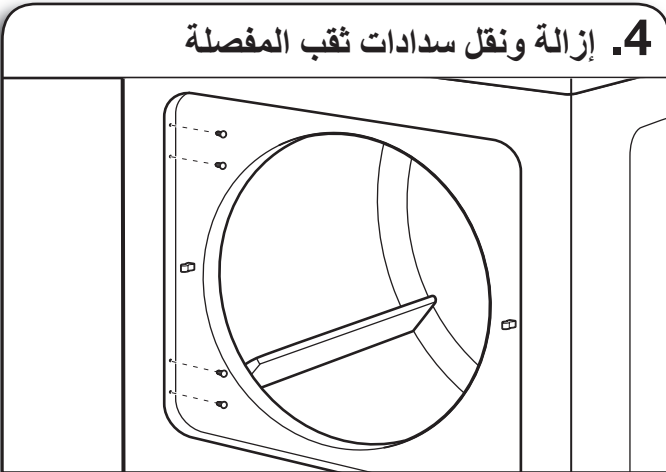
افتح باب المجفف. قم بإزالة المسامير السفلية من جانب كابينة المجفف للمفصلات. قم بفك (لا تزيلها) المسامير العلوية من جانب كابينة المجفف للمفصلات.

3. رفع الباب من المسامير العلوية



ارفع الباب حتى تكون المسامير العلوية في الكابينة في جزء كبير لشقبة المفصلة. اسحب الباب إلى الأمام من المسامير. ضع الباب أعلى المجفف. قم بإزالة المسامير العلوية من كابينة المجفف.

4. إزالة ونقل سدادات ثقب المفصلة



استخدم مفك صغير بشفرة مسطحة لتزليل بلطف 4 سدادات ثقب المفصلة على الجانب الأيسر لكابينة المجفف. ادخل السدادات في ثقب المفصلة على الجانب الآخر لكابينة المجفف.

□ عند تشغيل المجفف لمدة 5 دقائق، افتح باب المجفف واستشعر الحرارة. إذا شعرت بالحرارة، قم بإلغاء الدورة وأغلق الباب.

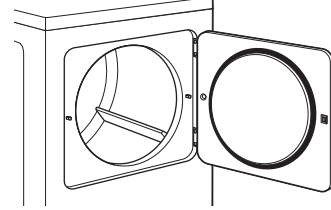
إذا لم تشعر بالحرارة، أوقف تشغيل المجفف، وتحقق مما يلي:

■ قد يكون هناك منصهرين منزليين أو قاطعي دائرة للمجفف. تأكد أن كل من المنصهرين سليم ومحكم أو أن كل من قاطعي الدائرة ليس متعثرًا. إذا كان لا يزال هناك أي حرارة، اتصل بفني مؤهل.

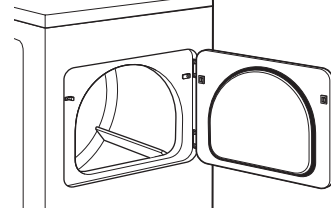
ملاحظة: قد تلاحظ رائحة عندما يتم تسخين المجفف لأول مرة. وهذه الرائحة اعتيادية عندما يتم استخدام عنصر الحرارة لأول مرة. وسوف تزول الرائحة.

دوران الباب العكسي (اختياري)

إذا كان بابك باب دوار جانبي كبير، اتبع الخطوات 1-6 في الصفحة 50.



إذا كان بابك باب دوار جانبي فائق العرض، اتبع الخطوات 1-13 في الصفحة 51.



ملاحظة: المفك الممغنط مفيد.

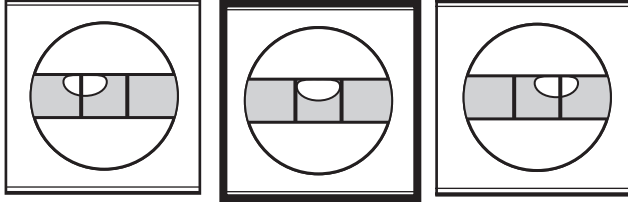
باب دوار جانبي كبير

1. ضع منشفة في المجفف



ضع منشفة أعلى المجفف لتجنب إتلاف السطح.

ملاحظة: يجب أن يكون المجفف مستو حتى يعمل نظام استشعار الرطوبة بشكل صحيح.

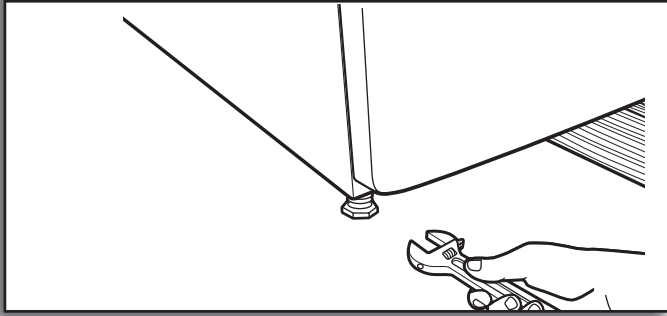


ليس مستو

میزان ضبط الاستواء

ليس مستو

2. أحكم ربط واضبط سيقان التسوية



إذا لم يكن المجفف مستو، ادعمه باستخدام كتلة خشبية، واستخدم مفتاح لضبط السيقان لأعلى أو لأسفل، وتحقق مرة أخرى من الاستواء. وحالما تستوي السيقان، تأكد أن كل السيقان الأربعة محكمة على الأرض قبل إحكام ربطها.

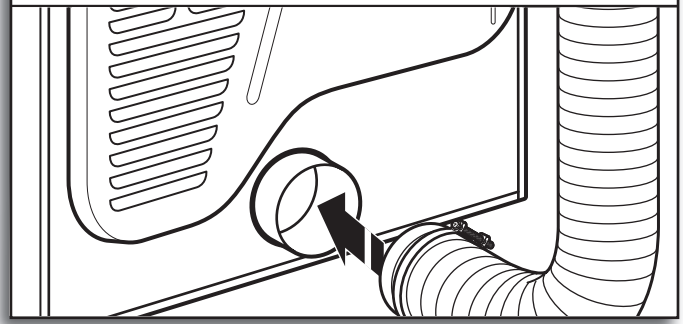
قائمة مراجعة التركيب الكاملة

- تأكد أن كافة القطع مثبتة الآن. إذا كان هناك قطعة إضافية، راجع بدقة مرة أخرى الخطوات لمعرفة ما تم تخطيه.
- تأكد أن لديك كل الأدوات الخاصة بك.
- تخلص من/أعد تدوير جميع مواد التغليف.
- تأكد من الموقع النهائي للمجفف. تأكد من عدم تحطم أو تعرقل أنبوب التهوية.
- بالنسبة لتركيب كبل مصدر القدرة، أدخل القابس في منفذ القدرة.
- بالنسبة لتركيب الأسلاك المباشرة، أدر على وضع تشغيل القدرة.
- تأكد أن المجفف مستو. راجع "تسوية المجفف".
- قم بإزالة العشاء على لوحة التحكم وأية شريط متبقي على المجفف.
- امسح الجزء الداخلي للمجفف تماما بقطعة قماش مبللة لإزالة أي غبار.
- اقرأ "استخدام المجفف" في دليل الاستخدام والعناية الخاص بك.
- اضبط المجفف على دورة حرارة كاملة (وليس دورة هواء) لمدة 20 دقيقة وابدأ تشغيل المجفف.

إذا لم يبدأ تشغيل مجفف، تحقق مما يلي:

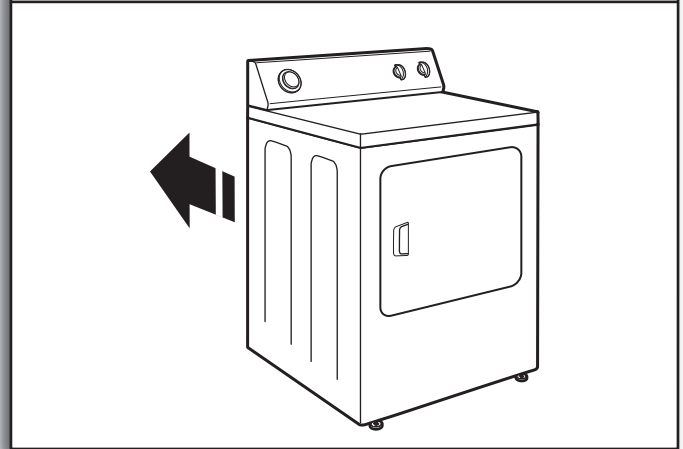
- وحدات التحكم مضبوطة في وضع التشغيل أو "On".
- تم دفع زر البدء بإحكام.
- قابس المجفف موصول بالمنفذ و/أو المصدر الكهربائي في وضع تشغيل.
- المنصهر المنزلي سليم ومحكم أو قاطع الدائرة غير متعثر.
- باب المجفف مغلق.

1. توصيل أنبوب التهوية بمنفذ العادم



باستخدام مشبك 4 بوصة (102 مم)، قم بتوصيل أنبوب التهوية بمنفذ العادم في المجفف. إذا كنت توصل بأنبوب تهوية موجود، تأكد أن أنبوب التهوية نظيف. يجب أن يتناسب أنبوب التهوية للمجفف مع منفذ العادم للمجفف وداخل غطاء العادم. تأكد أن أنبوب التهوية مربوط بإحكام بغطاء العادم بمشبك 4 بوصة (102 مم).

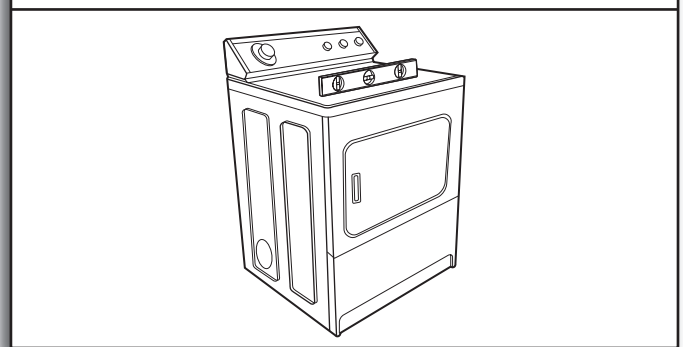
2. نقل المجفف للموقع النهائي



انقل المجفف للموقع النهائي. تجنب تحطيم أو تعجيل أنبوب التهوية. بعدما يصبح المجفف في مكانه، قم بإزالة دعائم الزاوية والكرتون من تحت المجفف.

تسوية المجفف

1. تسوية المجفف



تحقق من استواء المجفف من الجانب إلى الجانب. كرر ذلك من الأمام إلى الخلف.

تركيب نظام التهوية

تحديد مسار أنبوب التهوية:

- حدد طريقا يوفر مسارا أكثر استقامة ومباشرة في الهواء الطلق.
- خطط التركيب لاستخدام أقل عدد من الأكواع والحنيات.
- عند استخدام أكواع أو صنع حنيات، اترك مساحة بأكبر قدر ممكن.
- أحن أنبوب التهوية تدريجيا لتجنب التجعد.
- استخدم أقل حنيات بزوايا 90 درجة كلما أمكن.

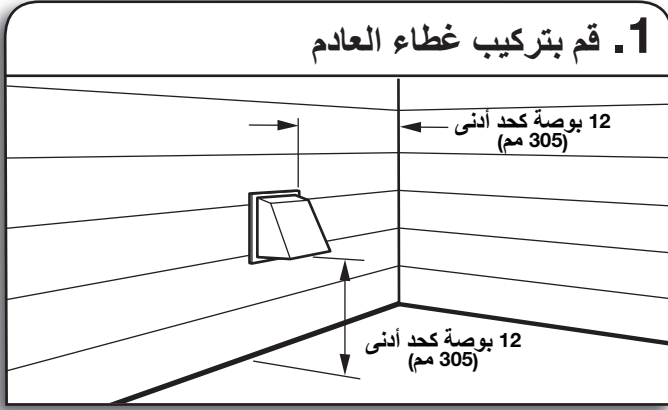
تحديد طول أنبوب التهوية والأكواع اللازمة للحصول على أفضل أداء للتجفيف:

- استخدم مخطط نظام أنابيب التهوية التالي لتحديد نوع مادة أنبوب التهوية وتركيبات الأغطية المقبولة للاستخدام.

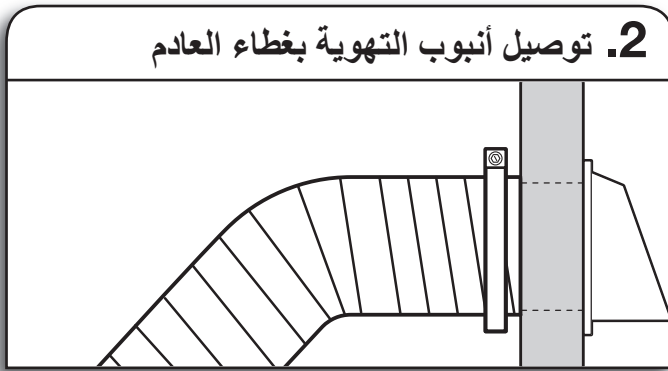
ملاحظة: لا تستخدم أنبوب تهوية أطول من المحددة في مخطط نظام أنابيب التهوية. أنظمة تهوية العادم الأطول من المحددة سوف:

- تقلل حياة المجفف.
- تخفض مستوى الأداء، مما يؤدي إلى أوقات تجفيف أطول وزيادة في استهلاك الطاقة.

يوفر مخطط نظام أنابيب التهوية متطلبات التهوية التي من شأنها أن تساعد على تحقيق أفضل أداء للتجفيف.



قم بتثبيت محرك العادم واستخدم مركب جلفطة لسد فتحة الجدار الخارجي حول غطاء العادم.



يجب أن يتناسب أنبوب التهوية فوق غطاء العادم. أحكم ربط أنبوب التهوية بغطاء العادم بمشبك 4 بوصة (102 مم). قم بمد أنبوب التهوية إلى موقع المجفف باستخدام المسار الأكثر استقامة كلما أمكن. تجنب الحنيات بزوايا 90 درجة. استخدم المشابك لإغلاق جميع المفاصل بإحكام. لا تستخدم شريط لاصق للأنبوب أو مسامير أو غيرها من أجهزة الربط التي تمتد إلى المناطق الداخلية لأنبوب التهوية لربط أنبوب التهوية، لأنها يمكن أن تلتقط النسالة.

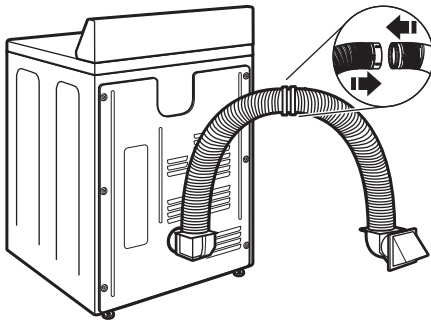
مخطط نظام أنابيب التهوية

الأغطية الزاوية	الأغطية الصندوقية/ذات شقوق التهوية	نوع أنبوب التهوية	عدد الحنيات أو الأكواع بزوايا 90 درجة
58 قدم (17.7 متر)	64 قدم (20 متر)	معدي صلب	0
48 قدم (14.6 متر)	54 قدم (16.5 متر)	معدي صلب	1
38 قدم (11.6 متر)	44 قدم (13.4 متر)	معدي صلب	2
29 قدم (8.8 متر)	35 قدم (10.7 متر)	معدي صلب	3
21 قدم (6.4 متر)	27 قدم (8.2 متر)	معدي صلب	4

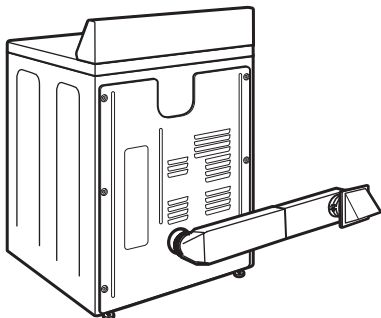
خطة نظام التهوية

تركيبات العادم الموصى بها

تنفس التركيبات النموذجية عن المجفف من الجزء الخلفي للمجفف. والتركيبات الأخرى ممكنة.



تركيب بعيد عن المعتاد (تتوفر أيضا مع كوع إزاحة)



تركيب بيريسكوبي

ملاحظة: الأطقم التالية للتركيبات البديلة للخلوصات الضيقة متوفرة للشراء. من أجل الطلب، يرجى الاتصال بالموزع الذي اشتريته منه المجفف أو شركة الخدمة المعتمدة.

■ التركيب البعيد عن المعتاد:

رقم القطعة 4396028

■ التركيب البيريسكوبي (للاستخدام مع أنبوب التهوية للمجفف لعدم تطابق الجدار مع أنبوب التهوية):

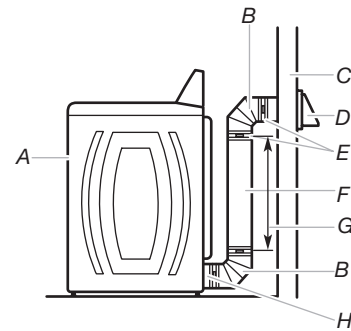
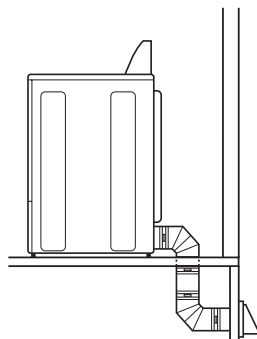
رقم القطعة 4396037 - عدم تطابق 0 بوصة (0 مم) إلى 18 بوصة (457.2 مم)

رقم القطعة 4396011 - عدم تطابق 18 بوصة (457.2 مم) إلى 29 بوصة (736.6 مم)

رقم القطعة 4396014 - عدم تطابق 29 بوصة (736.6 مم) إلى 50 بوصة (1270 مم)

احتياطات خاصة لتركيبات المسكن المتنقل:

يجب تثبيت أنبوب تهوية العادم بإحكام على جزء من هيكل المسكن المتنقل غير قابل للاشتعال، ويجب ألا ينتهي تحت المنزل المتنقل. بل ينتهي أنبوب تهوية العادم إلى الخارج.



A. المجفف
B. الكوع
C. الكوع
D. غطاء العادم
E. المشابك
F. أنبوب تهوية معدني صلب أو معدني مرن
G. طول أنبوب التهوية اللازم لتوصيل الأكواع
H. منفذ العادم

⚠ تحذير



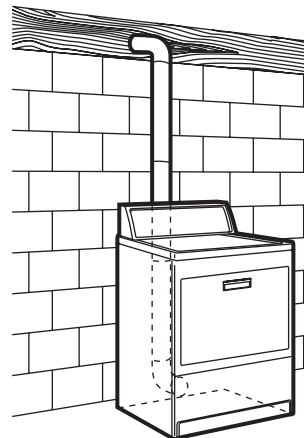
خطر الحريق

تغطية ثقوب العادم غير المستخدمة بطقم غطاء العادم للشركة المصنعة

اتصل بموزعك المحلي.

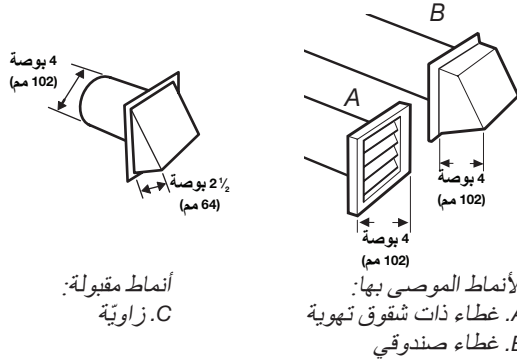
يمكن أن يؤدي عدم اتباع هذه الإرشادات إلى الوفاة أو الحريق أو الصدمة الكهربائية أو الإصابة البالغة.

تركيب قياسي لنظام العادم بأنبوب معدني صلب أو مرن



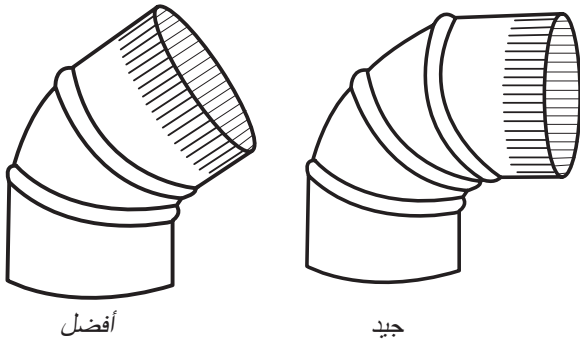
أغطية العادم:

- يجب أن تكون على الأقل 12 بوصة (305 مم) من سطح الأرض أو أي جسم يمكن أن يعوق العادم (مثل الأزهار أو الصخور أو الشجيرات أو الثلج).



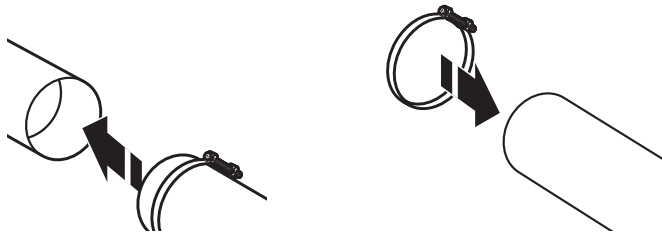
الأنواع:

- توفر الأنواع بزواوية 45 درجة تدفق هواء أفضل من الأنواع بزواوية 90 درجة.



المشابك:

- استخدم المشابك لإغلاق جميع المفاصل بإحكام.
- يجب عدم توصيل أو تأمين أنبوب تهوية العادم بمسامير أو أجهزة ربط أخرى تمتد إلى داخل الأنبوب وتمسك بالنسالة. لا تستخدم شريط للأنبوب.



يمكن أن يجعل سوء التهوية الرطوبة والنسالة أن تتجمع داخل المنزل، الأمر الذي قد يؤدي إلى:

- إضرار الرطوبة بأشغال الخشب والأثاث والطلاء وورق الجدران والسجاد وغيرها.

- مشاكل في تنظيف المنزل والمشاكل الصحية.

تحذير!



خطر الحريق

- استخدم منفذ تهوية معدني ثقيل.
- لا تستخدم منفذ تهوية من البلاستيك.
- لا تستخدم منفذ تهوية من رقيقة معدنية.
- يمكن أن يؤدي عدم اتباع هذه الإرشادات إلى الوفاة أو الحريق.

تحذير: للحد من خطر الحريق، يجب إفراغ هذه المجفف في الهواء الطلق. **هام:** يجب مراعاة جميع القوانين والقرارات الرسمية الحاكمة.

لا يجب توصيل عادم المجفف بأي أنبوب تهوية للغاز أو مدخنة أو جدار أو سقف أو عالية المنزل أو حجر، أو مساحة خفية للمبنى. ولا يستخدم إلا أنبوب معدني صلب أو مرن لإخراج العادم.

- قد لا يستخدم إلا أنبوب تهوية للعادم معدني ثقيل 4 بوصة (102 مم) والمشابك. ويوصى بمنتجات التهوية ديور سيفTM.
- لا تستخدم أنبوب تهوية من الرقاقة المعدنية أو البلاستيك.



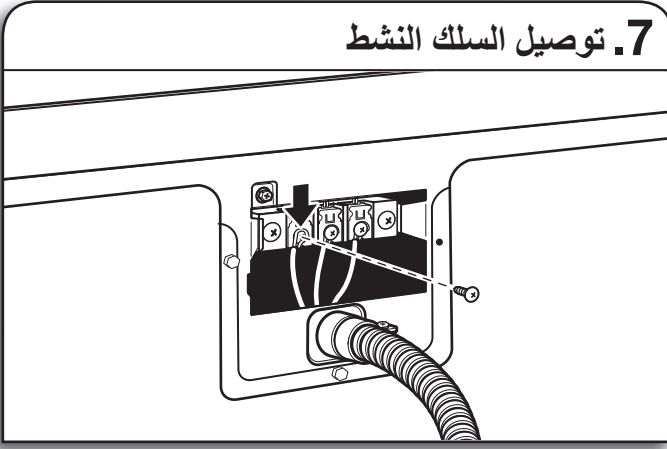
يمكن شراء منتجات أنبوب تهوية ديور سيفTM من موزعك.

أنبوب التهوية المعدني الصلب:

- يوصى به لأفضل أداء تجفيف ولتجنب التلوث والتعرق.
- أنبوب التهوية المعدني المرن: (مقبول فقط إذا كان سهل الوصول للتنظيف)
- يجب مده بالكامل ودعومه في الموقع النهائي للمجفف.
- قم بإزالة الزيادة لتجنب التلوي والتكد الذي قد يؤدي إلى انخفاض تدفق الهواء وسوء الأداء.
- لا تقم بالتركيب في الجدران المغلقة أو السقوف أو الأرضيات.
- يجب ألا يتجاوز الطول الإجمالي 7³/₄ قدم (2.4 متر).

ملاحظة: إذا كنت تستخدم نظام تهوية حالي، نظف النسالة من كامل امتداد النظام وتأكد أن غطاء العادم غير مسدود بالنسالة. واستبدال أنابيب التهوية البلاستيك أو المعدني الرقيق بأنابيب تهوية معدنية صلبة أو معدنية مرنة. واستعرض مخطط نظام أنابيب التهوية وإذا لزم الأمر، قم بتعديل نظام التهوية الحالي لتحقيق أفضل أداء للتجفيف.

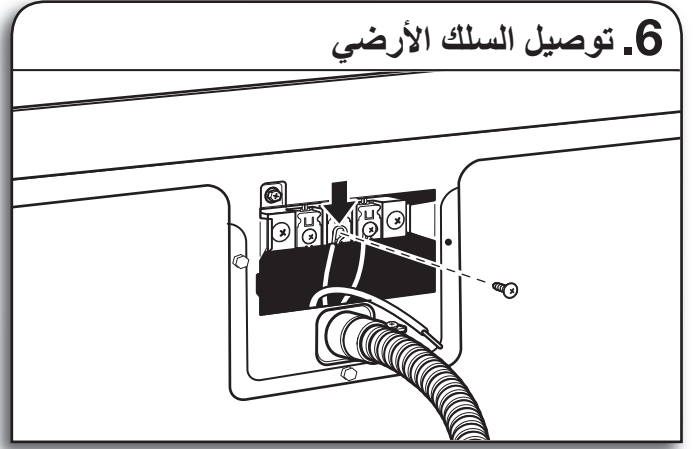
7. توصيل السلك النشط



ضع الطرف الخطافي للسلك النشط (بني اللون) لكبل مصدر القدرة تحت مسمار محطة موصل الكابلات الأيسر (الخطاف يواجه اليمين). اضغط الطرف الخطافي في نفس الوقت. أحكم ربط المسمار ومسمار مخفف التوتر.

أخيرا أعد إدخال لسان غطاء محطة توصيل الكابلات شقبة اللوحة الخلفية للمجفف. أحكم الغطاء بمسمار الربط. الآن، انتقل إلى متطلبات التهوية.

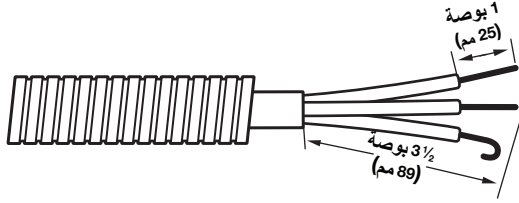
6. توصيل السلك الأرضي



ضع الطرف الخطافي للسلك الأرضي لكبل مصدر القدرة تحت مسمار محطة موصل الكابلات الأوسط (الخطاف يواجه اليمين). اضغط الطرف الخطافي في نفس الوقت وأحكم ربط المسمار.

توصيل السلك المباشر

3. إعداد كبل 3 أسلاك للتوصيلة المباشرة



يجب أن يكون بكبل السلك المباشر طول إضافي 5 قدم (1.52 متر) حتى يمكن نقل المجفف إذا لزم الأمر.

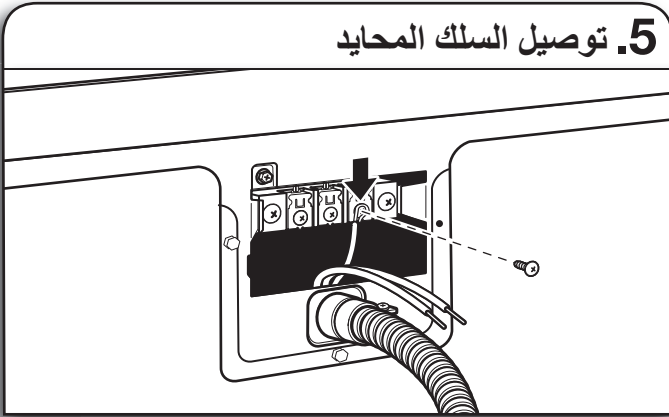
قم بتعريّة التغطية الخارجية 3 1/2 بوصة (89 مم) من نهاية الكبل. قم بتعريّة العزل مرة أخرى بوصة واحدة (25 مم). إذا كنت تستخدم كبل 3 أسلاك بسلك أرضي، اقطع السلك العاري بطريقة متساوية مع التغطية الخارجية. شكّل نهايات السلك على هيئة خطاف.

4. توصيل الأسلاك بمحطة موصل الكابلات



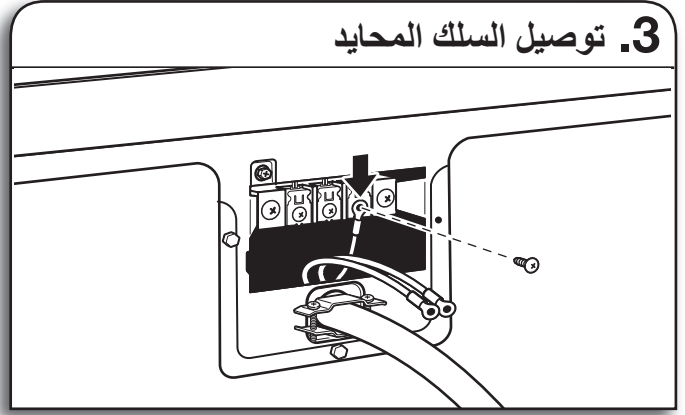
لتوصيل الأسلاك بمحطة موصل الكابلات، ضع الطرف الخطافي للسلك تحت مسمار محطة موصل الكابلات المواجه لليمين، اضغط الطرف الخطافي في نفس الوقت، وأحكام تثبيت المسمار.

5. توصيل السلك المحايد



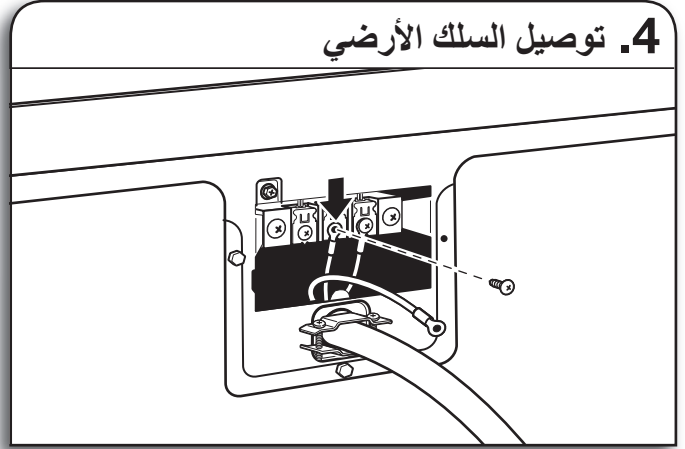
ضع الطرف الخطافي للسلك المحايد (أزرق اللون) لكبل مصدر القدرة تحت المسمار الأيمن لمحطة موصل الكابلات (الخطاف يواجه اليمين). اضغط الطرف الخطافي في نفس الوقت. أحكام ربط المسمار.

3. توصيل السلك المحايد



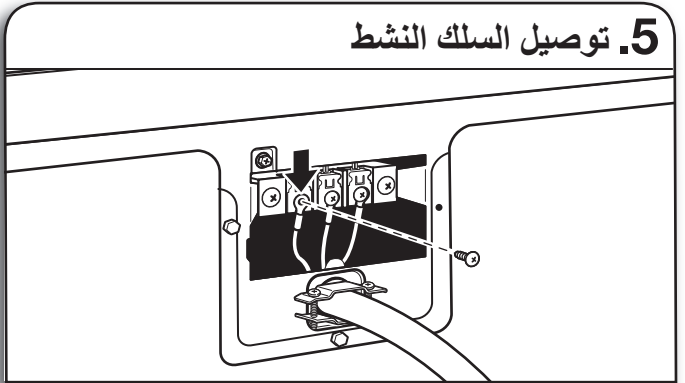
قم بتوصيل السلك المحايد (أزرق اللون) لكبل مصدر القدرة بمسمار المحطة الأيمن لمحطة موصل الكابلات. أحكام ربط المسمار.

4. توصيل السلك الأرضي



قم بتوصيل السلك الأرضي بوسط المحطة. أحكام ربط المسمار.

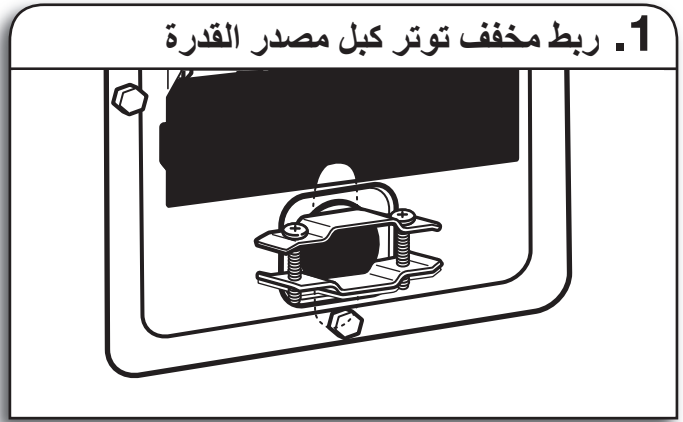
5. توصيل السلك النشط



قم بتوصيل السلك النشط (بني اللون) ببسار المحطة. أحكام ربط المسمار ومسامير مخفف التوتر.

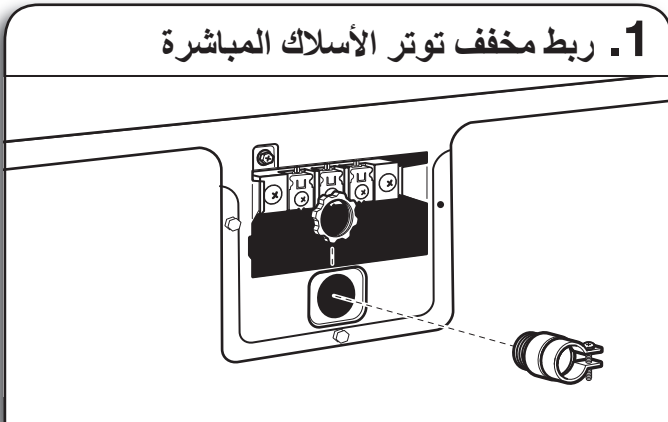
أخيرا أعد إدخال لسان غطاء محطة توصيل الكابلات شقّب اللوحة الخلفية للمجفف. أحكام الغطاء بمسمار الربط. الآن، انتقل إلى متطلبات التهوية.

1. ربط مخفف توتر كبل مصدر القدرة



قم بإزالة المسامير من مخفف التوتر المسجل UL بوصة 3/4 (19 مم) (علامة UL على مخفف التوتر). وضع عروتي قسمي المشبك (C) في الثقب (B) أسفل فتحة محطة موصل الكابلات بحيث تشير عروة إلى أعلى (A) والأخرى تشير إلى أسفل (D) وأحكام المسك في المكان. أحكم ربط مسامير مخفف التوتر بما يكفي لإحكام قسمي المشبك (C) معا.

1. ربط مخفف توتر الأسلاك المباشرة



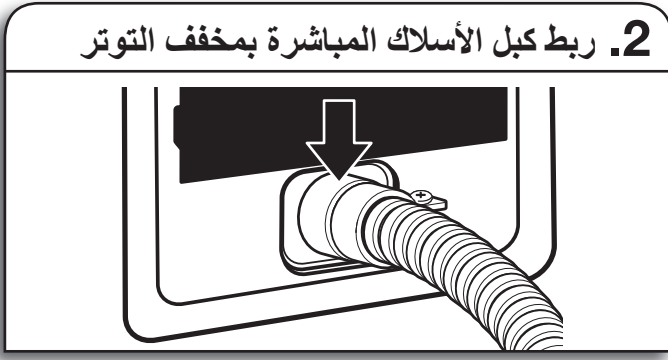
قم بفك موصل القناة القابلة للإزالة (A) وأي مسامير من مخفف التوتر المسجل 3/4 بوصة (19 مم) UL (علامة UL على مخفف التوتر). وضع القسم المولب لمخفف التوتر عبر الثقب (B) أسفل فتحة محطة موصل الكابلات. وعند الوصول إلى داخل محطة موصل الكابلات، اربط موصل القناة القابلة للإزالة على حزوز مخفف التوتر (C).

2. ربط كبل مصدر القدرة بمخفف التوتر



ضع كبل مصدر القدرة عبر مخفف التوتر. تأكد أن عزل أسلاك كبل مصدر القدرة داخل مخفف التوتر. يجب أن يناسب مخفف التوتر كابينة المجفف بإحكام ويكون في وضع أفقي. ولا تحكم ربط مسامير مخفف التوتر أكثر من ذلك عند هذه النقطة.

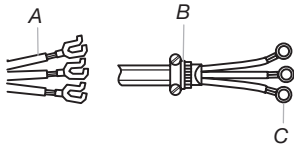
2. ربط كبل الأسلاك المباشرة بمخفف التوتر



ضع كبل الأسلاك المباشرة عبر مخفف التوتر. يجب أن يناسب مخفف التوتر كابينة المجفف بإحكام ويكون في وضع أفقي. أحكم ربط مسامير مخفف التوتر.

توصيل كبل مصدر القدرة

استخدمه حيث تسمح القوانين المحلية بتوصيل الموصل الأرضي للكابينة بالسلك المحايد:



A. طرف مسحاتي بنهايات مقلوبة
B. مخفف توتر مسجل UL بوصة 3/4 (19 مم)
C. أطراف حلقيّة

⚠ تحذير



خطر الحريق

- استخدم سلك نحاس عيار 10.
- استخدم مخفف التوتر المسجل UL.
- اقطع القدرة قبل إجراء التوصيلات الكهربائية.
- قم بتوصيل السلك المحايد (أبيض اللون أو سلك الوسط) بطرف الوسط (فضي اللون).
- يجب توصيل السلك الأرضي (أخضر اللون أو السلك العاري) بالموصل الأرضي الأخضر.
- قم بتوصيل سلكي المصدر المتبقين بالطرفين المتبقين (ذهبي اللون).
- اربط بإحكام جميع التوصيلات الكهربائية.
- يمكن أن يؤدي عدم القيام بذلك إلى الوفاة أو الحريق أو الصدمة الكهربائية.

⚠ تحذير

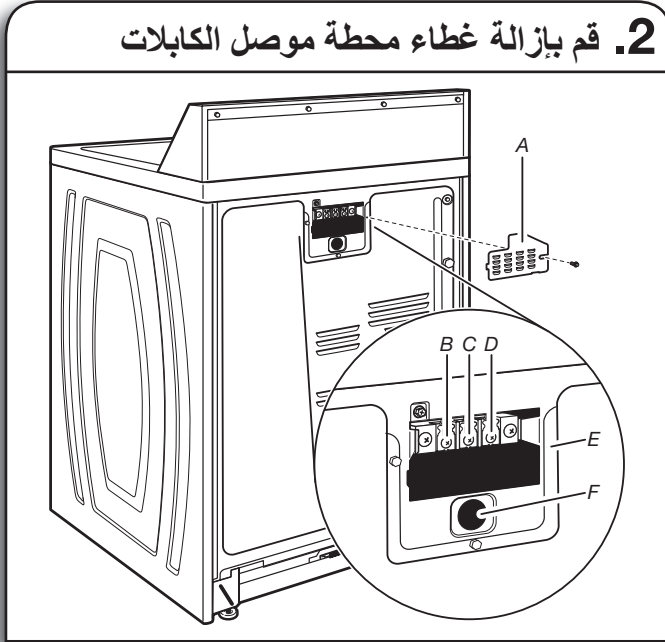


خطر الحريق

- استخدم كبل مصدر القدرة 30 أمبير المسجل UL الجديد.
- استخدم مخفف التوتر المسجل UL.
- اقطع القدرة قبل إجراء التوصيلات الكهربائية.
- قم بتوصيل السلك المحايد (أبيض اللون أو سلك الوسط) بطرف الوسط (فضي اللون).
- يجب توصيل السلك الأرضي (أخضر اللون أو السلك العاري) بالموصل الأرضي الأخضر.
- قم بتوصيل سلكي المصدر المتبقين بالطرفين المتبقين (ذهبي اللون).
- اربط بإحكام جميع التوصيلات الكهربائية.
- يمكن أن يؤدي عدم القيام بذلك إلى الوفاة أو الحريق أو الصدمة الكهربائية.

خيارات التوصيل الكهربائي

2. قم بإزالة غطاء محطة موصل الكابلات



قبل أن تبدأ، اقطع القدرة. قم بإزالة مسمار الربط (D) وغطاء محطة موصل الكابلات (A).

- A. غطاء محطة موصل الكابلات
- B. مسمار الموصل الأرضي الخارجي
- C. مسمار محطة موصل الكابلات فضي اللون المركزي
- D. مسمار ربط
- E. سلك أرضي محايد
- F. ثقب أسفل غطاء محطة موصل الكابلات

1. نوع التوصيلة الكهربائية

كبل مصدر القدرة (NEMA نوع 10-30):
انتقل إلى الخطوتين 1-2 في الصفحة 16 لمخفف
توتر كبل مصدر القدرة: ثم الخطوات 3-5 لقسم
توصيل كبل مصدر القدرة. ثم انتقل إلى متطلبات
التهوية.



توصيل الأسلاك المباشرة: انتقل إلى الخطوتين
1-2 في الصفحة 16 لمخفف توتر الأسلاك
المباشرة: ثم الخطوات 3-7 لقسم توصيل الأسلاك
المباشرة. ثم انتقل إلى متطلبات التهوية.



ملاحظة: إذا لم تسمح القوانين المحلية بتوصيل الموصل الأرضي
بالسلك المحايد، انتقل إلى قسم "توصيل الأسلاك المباشر". وقد
تستخدم هذه التوصيلة إما مع كبل مصدر القدرة أو توصيل الأسلاك
المباشر.

تركيب سيقان الاستواء

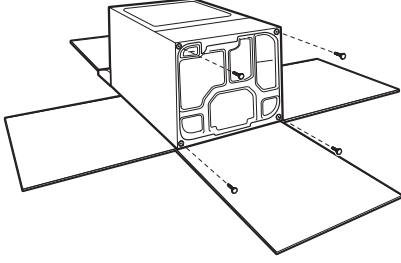
⚠ تحذير

خطر الوزن الزائد

استعن بشخصين أو أكثر لنقل وتركيب المجفف.

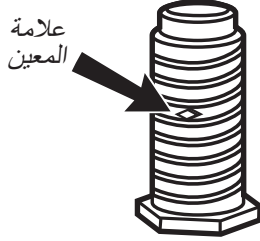
يمكن أن يؤدي عدم القيام بذلك إلى الإصابة بالآلام الظهر أو غيرها من الإصابات.

1. أعد المجفف لسيقان التسوية



لتجنب إلحاق الضرر بالأرضية، استخدم قطعة مسطحة كبيرة من الورق المقوى من كرتون المجفف؛ ضعها تحت كامل الحافة الخلفية للمجفف. امسك بإحكام جسم المجفف (وليس لوحة التحكم) وضع بلطف المجفف على الورق المقوى.

2. اربط سيقان الاستواء



افحص سيقان الاستواء، واعثر على علامة المُعين. اربط السيقان في الثقوب المخصصة، واستخدام مفتاح لإنهاء تدوير السيقان حتى تختفي علامة المُعين تماماً.

أوقف الآن المجفف على أقدامه. وقم بزلق المجفف حتى يقترب من موقعه النهائي. واترك مساحة كافية للتوصيل الكهربائي ولتوصيل أنبوب تهوية العادم.

■ كبل مصدر قدرة 30 أمبير المسجل UL، حد أدنى مقدر 220 فولت. ويجب أن يكون نوع الكبل SRD أو SRDT وطوله لا يقل عن 4 قدم (1.22 متر). يجب أن تنتهي الأسلاك التي تتصل بالمجفف بأطراف حلقية أو أطراف مسحاتية بنهايات مقلوبة.

■ مخفف التوتر المسجل UL.

■ إذا كان التوصيل عن طريق السلك المباشر:

يجب أن يوافق كبل مصدر القدرة مصدر القدرة ذاتها ويكون:

■ كبل مدرع مرن أو كبل نحاس مغلفة غير معدني (بسلك أرضي)، مغطى بقناة معدنية مرنة. يجب أن تكون جميع الأسلاك الحاملة للتيار معزولة.

■ أسلاك نحاس صلبة عيار 10 (لا تستخدم الألمونيوم).

■ لا يقل الطول عن 5 قدم (1.52 متر).

إرشادات التأسيس

■ بالنسبة لمجفف متصل بكبل مؤرض:

يجب تأسيس هذا المجفف في حال حدوث خلل أو تعطل، يقلل التأسيس من خطر حدوث صدمة كهربائية من خلال توفير مسار لمقاومة أقل للتيار الكهربائي. يستخدم هذا المجفف كبل يحتوي موصل تأسيس للمعدات وقابس تأسيس. ويجب توصيل القابس بمنفذ مناسب مركب بشكل صحيح ومؤرض وفقاً لجميع القوانين والقرارات الرسمية المحلية.

■ بالنسبة لمجفف متصل بشكل دائم:

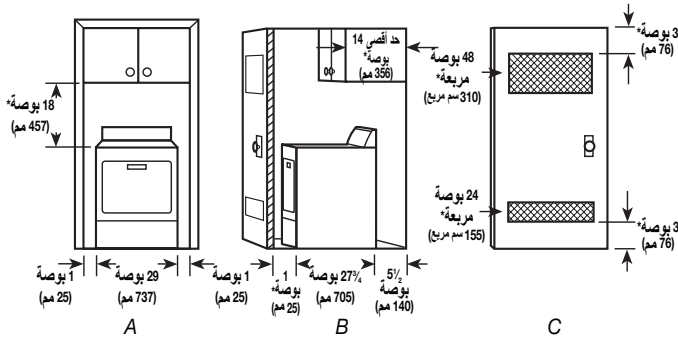
يجب توصيل هذا المجفف بنظام أسلاك دائمة معدنية ومؤرضة أو يجب أن يتم تشغيل موصل التأسيس للمعدات مع موصلات الدائرة ويتصل بطرف التأسيس للمعدات أو سلك على المجفف.

تحذير: يمكن أن يؤدي التوصيل الخاطئ لموصل التأسيس للمعدات عن مخاطر التعرض للصدمة الكهربائية. تحقق مع متخصص كهرباء مؤهل أو ممثل أو موظفي الخدمة إذا كنت في شك بشأن تأسيس المجفف بشكل صحيح. لا تقم بتعديل قابس كبل مصدر القدرة: إذا كان لا يلاءم المنفذ، قم بتركيب منفذ صحيح عن طريق متخصص كهرباء مؤهل.

احتفظ بهذه الإرشادات

- بالنسبة للتركيب في الخزانة، مع الباب، مطلوب الحد الأدنى لفتحات التهوية أعلى وأسفل الباب. والأبواب ذات الشقوق بفتحات التهوية المعادلة مقبولة.
- وينبغي أيضا أخذ مبادعة الأجهزة المصاحبة بعين الاعتبار.

الحد الأدنى للمبادعة المطلوبة



A. مساحة غائرة
B. مشهد جانبي - الخزانة أو المساحة المحصورة
C. باب الخزانة بفتحات التهوية

*يوصى بمبادعة إضافية

المسكن المتنقل - متطلبات التركيب الإضافية

هذا المجفف مناسب لتركيبات المسكن المتنقل. يجب أن يتوافق التركيب مع معيار السلامة والتنشيد المسكن المصنعة، العنوان CFR 24، الجزء 3280 (سابقا المعيار الاتحادي لتنشيد المسكن المتنقلة والسلامة، العنوان 24، الجزء HUD 280).

- أجهزة نظام العادم المعدنية، المتوفرة للشراء من الموزع.
- يتعين توفير احتياطات خاصة في المسكن المتنقلة لإدخال الهواء الخارجي في المجفف. يجب أن تكون الفتحة (مثل نافذة مجاورة) أكبر مرتين على الأقل من فتحة العادم للمجفف.

المتطلبات الكهربائية

مسؤوليتك أن:

- تتصل بمختص تركيب كهربائي مؤهل.
- تتأكد أن التوصيل الكهربائي كاف ومتوافق مع جميع القوانين والقرارات الرسمية المحلية.
- توفر مصدر كهربائي لتيار متردد 3 الأسلاك أحادي الطور 220 فولت 60 هرتز فقط على دائرة كهربائية 30 أمبير منفصلة، مدمجة على جانبي الخط. ويوصى بمنصهر إعاقة زمنية أو قاطع دائرة. اتصل بدائرة فرعية فردية. ولا يكن لديك منصهر في الدائرة المحايدة أو دائرة التأريض.
- لا تستخدم سلك إطالة.
- إذا كانت القوانين تسمح ويتم استخدام سلك أرضي منفصل، يوصى أن يحدد مختص كهرباء مؤهل كفاية المسار الأرضي.

الاتصال الكهربائي

تركيب مجففك بشكل صحيح، يجب تحديد نوع التوصيل الكهربائي الذي سوف تستخدمه واتبع الإرشادات المنصوص عليها الخاصة به هنا.

إذا باستخدام كبل التيار الكهربائي:

استخدم طقم كبل مصدر القدرة UL المسجل المؤشر عليه للاستخدام مع مجففات الملابس. ويجب أن يحتوي الطقم على:

- أرضية متينة لاحتمال الوزن الإجمالي (المجفف والحمولة) من 200 رطل (90.7 كجم). وينبغي أيضا الوضع في الاعتبار الوزن المجمع للأجهزة المرافقة.

■ أرضية مستوية بحد أقصى لانحدار بوصة واحدة (25 مم) تحت كامل المجفف. (إذا كان الانحدار أكبر من بوصة واحدة (25 مم)، قم بتركيب طقم أقدم المجفف الممتدة، رقم القطعة 279810). قد لا تنقلب الملابس بشكل صحيح والموديلات بدورات المستشعر التلقائي قد لا تعمل بشكل صحيح إذا لم يكن المجفف غير مستوى.

لا تشغيل مجففك في درجات حرارة أقل من 45 درجة فهرنهايت (7 درجات مئوية). حيث أنه في درجات الحرارة المنخفضة، قد لا يغلق المجفف في نهاية الدورة التلقائية. ويمكن أن تمتد أوقات التجفيف.

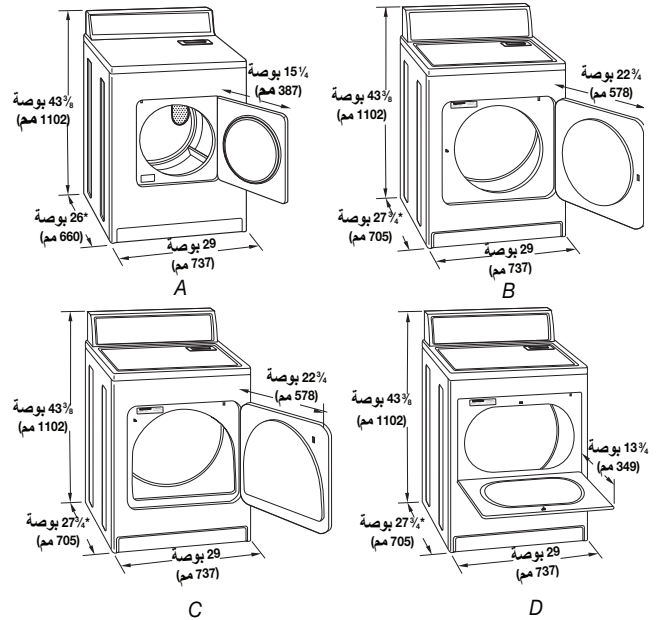
لا يجب تركيب المجفف أو تخزينه في منطقة يتعرض فيها للماء و/أو أحوال الطقس.

تحقق من متطلبات القانون. حيث تحد بعض القوانين أو لا تسمح بتركيب المجفف في المرانب، أو الخزائن أو المساكن المتنقلة أو أماكن النوم. اتصل بمفتش البناء المحلي الخاص بك.

خلوصات (حيز) التركيب:

يجب أن يكون الموقع كبيرا بما يكفي للسماح بفتح باب المجفف بشكل كامل.

أبعاد المجفف



A. باب دوار جانبي بكوة صغيرة
B. باب دوار جانبي بكوة كبيرة
C. باب دوار جانبي بكوة عريضة
D. باب دوار اعترض بكوة عريضة

* تتطلب معظم التركيبات حد أدنى 5 1/2 بوصة (140 مم) خلوص وراء المجفف لأنبوب تهوية العادم مع الكوع. راجع "متطلبات التهوية".

الحد الأدنى للمبادعة للمساحة الغائرة أو التركيب في خزانة

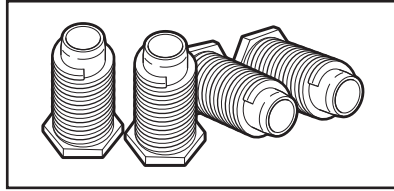
الأبعاد التالية الموضحة التالية هي الحد الأدنى للمبادعة المسموح به.

- وينبغي أن توضع المبادعة الإضافية في الاعتبار لسهولة التركيب والصيانة.
- قد تكون هناك حاجة لخلوصات إضافية بالنسبة للجدار والباب وقوالب الأرضية.
- يوصى بمبادعة إضافية بوصة واحدة (25 مم) على جميع جوانب المجفف للحد من انتقال الضوضاء.

إرشادات التركيب

متطلبات التركيب

القطع المرفقة (جميع الموديلات):



سيقان تسوية (4)

تقع عبوة القطع في حلة المجفف. تأكد أن كافة القطع مرفقة.

القطع المطلوبة:

تحقق من القوانين المحلية. تحقق من التيار الكهربائي الحالي والتهوية، واقرأ "المتطلبات الكهربائية" و"متطلبات التهوية" قبل شراء القطع.

تتطلب تركيبات المسكن المتنقل أجهزة نظام العادم معدنية، وهي متوفرة للشراء من الموزع الذي اشترت منه المجفف الخاص بك.

إذا باستخدام كبل التيار الكهربائي:

استخدم طقم كبل مصدر القدرة UL المسجل المؤشر عليه للاستخدام مع مجففات الملابس. ويجب أن يحتوي الطقم على:

- كبل مصدر قدرة 30 أمبير المسجل UL، حد أدنى مقدر 220 فولت. ويجب أن يكون نوع الكبل SRD أو SRDT وطوله لا يقل عن 4 قدم (1.22 متر). يجب أن تنتهي الأسلاك التي تتصل بالمجفف بأطراف حلقيّة أو أطراف مسحاتية بنهايات مقلوّبة.

- مخفف التوتر المسجل UL.

متطلبات الموقع

تحذير!



خطر الانفجار

أبعد المواد القابلة للاشتعال والأبخرة، مثل البنزين، بعيدا عن المجفف.

ضع المجفف على ارتفاع لا يقل عن 18 بوصة (460 مم) فوق الأرضية لتركيب المرآب.

يمكن أن يؤدي عدم القيام بذلك إلى الوفاة أو الانفجار أو الحريق.

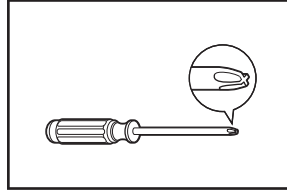
ستحتاج إلى:

- موقع يسمح بالتركيب السليم فتحة العادم. راجع "متطلبات التهوية".
- دائرة 30 أمبير منفصلة.
- إذا كنت تستخدم كبل لمصدر القدرة، تحتاج منفذا كهربائيا مؤرضا يقع في حدود 2 قدم (610 مم) لأي من جانبي المجفف. راجع "المتطلبات الكهربائية".

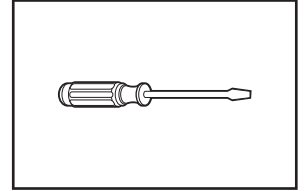
الأدوات والقطع

اجمع الأدوات والأجزاء اللازمة قبل بدء التثبيت. اقرأ واتبع الإرشادات المقدمة لأي أدوات مذكورة هنا.

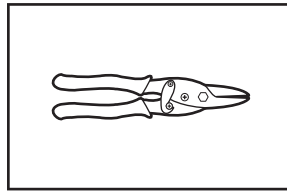
الأدوات اللازمة:



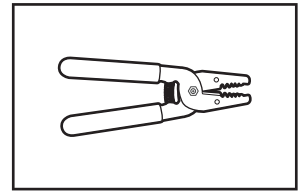
مفك فيليبس #2



مفك بشفرة مسطحة (عادة) أو ممغنط



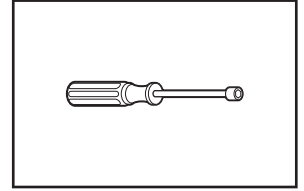
مقص صفيح (تركيبات أنبوب التهوية الجديد)



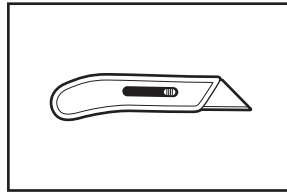
مُعرية أسلاك (تركيبات الأسلاك المباشرة)



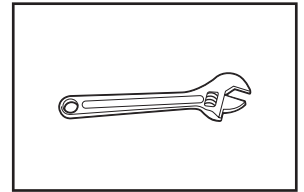
مشابك أنبوب التهوية



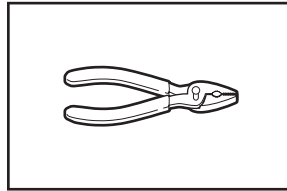
سواقة صواميل 1/4 بوصة (موصى بها)



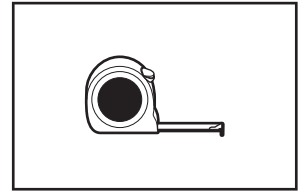
مدية مرفقية



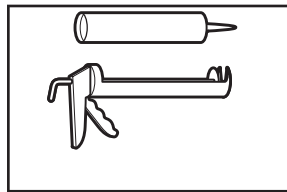
مفتاح ربط انضباطي يفتح حتى بوصة واحدة (25 مم) أو مفتاح ربط صندوق سداسي الرأس



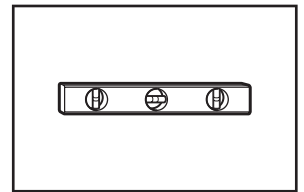
كماشة



شريط قياس



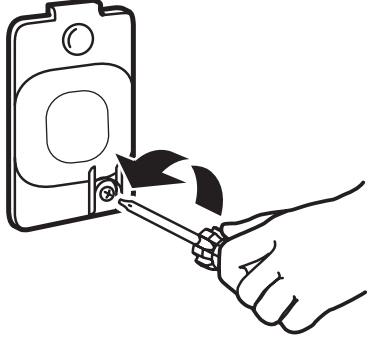
مركب ومسدس جلفطة (لتركيب أنبوب العادم الجديد)



ميزان ضبط الاستواء

تغيير مصباح الحلة (في بعض الموديلات)

1. تنزع قابس المجفف أو تفصله عن القدرة.
2. افتح باب المجفف. حدد موقع غطاء المصباح على الجدار الخلفي للمجفف. باستخدام مفك رأس فيليبس، قم بإزالة المسمار الموجود في الركن السفلي الأيمن للغطاء. قم بإزالة الغطاء.



3. أدر المصباح في اتجاه عكس عقارب الساعة. استبدل المصباح بمصباح الجهاز 10 واط فقط. أعد الغطاء في مكانه وثبت بالمسمار.
4. أدخل قابس المجفف أو أعد توصيل القدرة.

العطلة والتخزين وعناية النقل

عناية العطلة أو التخزين

قم بتشغيل المجفف فقط عندما تكون في المنزل. إذا كنت ستقوم بإجازة أو لا تستخدم المجفف لفترة ممتدة من الوقت، يجب عليك أن:

1. تنزع قابس المجفف أو تفصله عن القدرة.
2. تنظف مصفاة النسالة. راجع "تنظيف مصفاة النسالة".

عناية النقل

بالنسبة للمجففات المتصلة بكبل مصدر القدرة:

1. افصل قابس كبل مصدر القدرة.
2. تأكد من إحكام سيقان الاستواء في قاعدة المجفف.
3. استخدم شريط لتأمين باب المجفف.

تحذير



خطر الصدمة الكهربائية

افصل القدرة قبل الصيانة والإصلاح.
أعد كافة القطع والألواح قبل التشغيل.
يمكن أن يؤدي عدم القيام بذلك إلى الوفاة أو الصدمة الكهربائية.

بالنسبة للمجففات المتصلة بالأسلاك مباشرة:

1. افصل القدرة.
2. افصل الأسلاك.
3. تأكد من إحكام سيقان الاستواء في قاعدة المجفف.
4. استخدم شريط لتأمين باب المجفف.

أعد تركيب المجفف

اتبع "إرشادات التركيب" لتحديد موقع وتسوية وتوصيل المجفف.

تنظيف موقع المجفف

اجعل منطقة المجفف خالية وخالية من العناصر التي من شأنها أن تعوق تدفق الهواء لتشغيل المجفف السليم. وهذا يشمل إزالة أكوام الغسيل من أمام المجفف.

⚠ تحذير



خطر الانفجار

أبعد المواد القابلة للاشتعال والأبخرة، مثل البنزين، بعيدا عن المجفف.

ضع المجفف على ارتفاع لا يقل عن 18 بوصة (460 مم) فوق الأرضية لتركيب المرأب.

يمكن أن يؤدي عدم القيام بذلك إلى الوفاة أو الانفجار أو الحريق.

تنظيف الجزء الداخلي للمجفف

لكي تنظف حلة المجفف

1. استخدم منظف منزلي سائل غير قابل للاشتعال في المنطقة المبقعة للحلة وافرك بقطعة قماش ناعمة حتى يتم إزالة البقعة.
2. امسح الحلة تماما بقطعة قماش مبللة.
3. قلب حمولة الملابس النظيفة أو المناشف لتجفيف الحلة.

ملاحظة: الملابس التي تحتوي أصباغ غير ثابتة، مثل جينز الدنيم أو العناصر القطنية ذات الألوان الزاهية - قد تشوه لون الجزء الداخلي للمجفف. وهذه البقع غير ضارة بالمجفف، ولن تلطخ حمولات الملابس في المستقبل. جفف هذه العناصر من الداخل إلى الخارج لتجنب تلطيخ الحلة.

إزالة النسالة المتراكمة

من داخل كابينة المجفف

يجب إزالة النسالة كل سنتين أو في أغلب الأحوال، حسب استخدام المجفف. ويجب أن ينفذ التنظيف موظف صيانة مؤهل.

من أنبوب تهوية العادم

يجب إزالة النسالة كل سنتين أو في أغلب الأحوال، حسب استخدام المجفف.

تنظيف مصفاة النسالة

تنظيف لكل حمولة

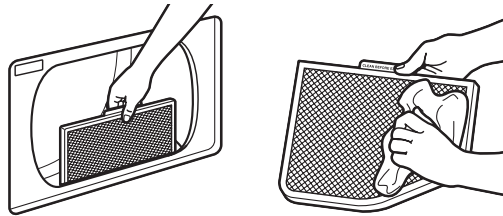
تقع مصفاة النسالة أعلى المجفف أو في فتحة الباب. ويمكن أن تزيد المصفاة التي تسدها النسالة وقت التجفيف.

للتنظيف (حسب الموديل):

1. اسحب مصفاة النسالة نحوك.



أو
1. اسحب مصفاة النسالة بشكل مستقيم لأعلى.



2. لف النسالة من المصفاة بأصابعك. لا تشطف أو تغسل المصفاة لإزالة النسالة.

3. ادفع مصفاة النسالة مرة أخرى بإحكام في مكانها.

هام:

■ لا تقم بتشغيل المجفف والمصفاة غير ثابتة أو تالفة أو مسدودة أو مفقودة. حيث أن ذلك يمكن أن يسبب فرط السخونة وإلحاق الضرر بكل من المجفف والمنسوجات.

■ إذا سقطت النسالة من المصفاة في المجفف أثناء الإزالة، تحقق من غطاء العادم وقم بإزالة النسالة. راجع "متطلبات التهوية".

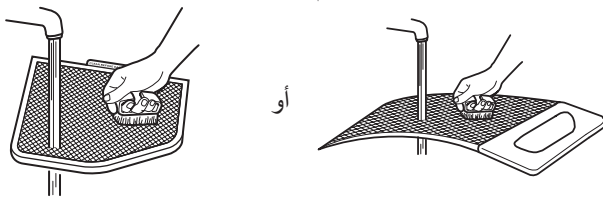
التنظيف حسب الحاجة

يمكن أن تتراكم بقايا مسحوق الغسيل والمادة المليئة للنسيج على مصفاة النسالة. ويمكن أن يسبب هذا التراكم أوقات تجفيف أطول لملابسك أو قد يؤدي إلى توقف المجفف قبل جفاف حمولتك بشكل كامل. وربما تتسد المصفاة إذا سقطت النسالة عليها أثناء وجود المصفاة في المجفف.

نظف مصفاة النسالة بفرشاة نايلون كل 6 أشهر أو في فترات كثيرة أكثر، إذا انسدت بسبب تراكم المخلفات.

لكي تغسلها:

1. لف النسالة من المصفاة بأصابعك.
2. بلل جانبي مصفاة النسالة بالماء الساخن.
3. بلل فرشاة النايلون بالماء الساخن ومنظف سائل. افرك مصفاة النسالة بالفرشاة لإزالة تراكم المخلفات.



4. اشطف المصفاة بالماء الساخن.

5. جفف مصفاة النسالة تماما بمنشفة نظيفة. أعد تركيب المصفاة في المجفف.

7. إزالة الملابس فوراً بعد انتهاء الدورة



قم بإزالة الملابس فوراً بعد اكتمال الدورة للحد من التجمد. وإذا لم تكن قادراً على إزالة الحمولة فوراً، أدر زر "واق التجمد" على وضع التشغيل في أي وقت قبل انتهاء الدورة.

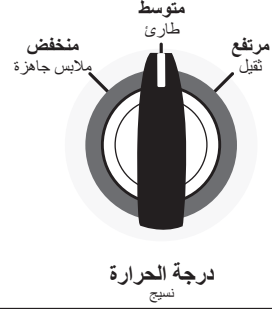
واق التجمد™

■ ينشط "التلقائي" في نهاية الدورة إذا لم تفتح باب المجفف في غضون دقائق قليلة. وتبدأ هذه الميزة دورياً وتوقف المجفف وتقلب الحمولة بدون حرارة لمدة تصل إلى 30 أو 40 دقيقة، حسب الموديل، لتجنب التجمد.

■ قد تضبط مفتاح محدد واق التجمد™ على وضع التشغيل. وسوف يبدأ المجفف دورياً ويتوقف ويقلب الحمولة بدون حرارة لمدة تصل إلى 30 أو 40 دقيقة، حسب الموديل، لتجنب التجمد.

ملاحظة: تصدر الإشارة صوتاً بشكل دوري عندما يتم تحديد إعداد واق التجمد™، ولكن فقط إذا كان مفتاح إشارة "نهاية الدورة" في وضع التشغيل.

4. ضبط درجة حرارة النسيج



اضبط محدد درجة الحرارة على الدورة الموصى بها لنوع النسيج الذي يجري تجفيفه. راجع مرشد الدورة للحصول على اقتراحات لدرجة الحرارة. في بعض الموديلات، درجة الحرارة مشمولة في تحديدات الدورة.

ملاحظة: ليست كل الخيارات والإعدادات متوفرة مع جميع الدورات و/أو الموديلات.

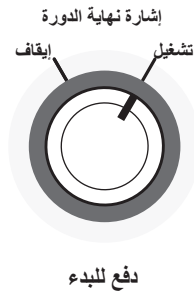
5. تحديد خيارات الدورة (إذا رغبت في ذلك)



أضف خيارات إضافية من خلال إدارة المفتاح.

ملاحظة: ليست كل الخيارات والإعدادات متوفرة مع جميع الدورات و/أو الموديلات.

6. اضغط زر "ادفع للبدء" لبدء الدورة



اضغط زر "ادفع للبدء" لبدء الدورة.

مرشد الدورة — دورات التجفيف التلقائي/تجفيف الاستشعار التلقائي

ليست كل الدورات والإعدادات متوفرة في جميع الموديلات.

التجفيف التلقائي/تجفيف الاستشعار التلقائي - يستشعر الرطوبة في الحمولة أو درجة حرارة الهواء ويغلق عندما تصل الحمولة إلى مستوى الجفاف المحدد. ويعطي أفضل تجفيف في أقصر وقت. ويتفاوت وقت التجفيف حسب نوع النسيج وحجم الحمولة وإعداد الجفاف.

وحسب الموديل، قد يتم تحديد درجة الحرارة على مفتاح الدورة أو قد تكون وحدة تحكم منفصلة.

نوع الحمولة:	الدورة:	درجة حرارة التجفيف:	تفاصيل الحمولة:
الدنيم	جينز	متوسط أو مرتفع	تجفف الدنيم تماما.
منسوجات مقاومة للتجعد وأقطان والبياضات ومنسوجات من المواد التركيبية	الطاقة المفضلة/الطاقة المفضلة إعداد تلقائي* (حسب الموديل)	أي	يستشعر "التجفيف التلقائي" درجة الحرارة في الحمولة. يستشعر "تجفيف الاستشعار التلقائي" مستوى الرطوبة في الحمولة. تتوقف هذه الدورات عن التشغيل تلقائيا عندما تصل الحمولة إلى الجفاف المحدد.
حمولات صغيرة وملابس خفيفة الوزن	لطيف	منخفض	تجفف برفق الملابس الحساسة.
جميع الحمولات	تبريد	بدون حرارة	تبرد الحمولة لجعلها أكثر سهولة في التعامل معها.
أي حمولة	واق التجعد™/منع التجعد (حسب الموديل)	بدون حرارة	يبدأ ويتوقف المجفف دوريا، ويقلب الحمولة لتجنب التجعد.

ملاحظة: إذا لم تظهر الحمولات جافة كما كنت تود، حدد في المرة القادمة "تجفيف مطلق" عندما تجفف حمولة مشابهة.

مرشد الدورة — دورات "التجفيف الموقوت"

ليست كل الدورات والإعدادات متوفرة في جميع الموديلات. الإعدادات والخيارات الموضحة **بالبنط الأسود العريض** هي إعدادات افتراضية لتلك الدورة.

"التجفيف الموقوت" - يشغل المجفف لمدة الوقت المحدد على وحدة التحكم. وحسب الموديل، قد يتم تحديد درجة الحرارة على مفتاح الدورة أو قد تكون وحدة تحكم منفصلة.

نوع الحمولة:	الدورة:	درجة حرارة التجفيف:	تفاصيل الحمولة:
العناصر الكبيرة أو الثقيلة مثل المناشف أو الأردية السميكة	خدمة شاقة	مرتفع	يجفف بشكل متساو الحمولات الكبيرة أو الثقيلة.
أي حمولة	تجفيف رطب	أي	يجفف العناصر إلى مستوى رطب أو للعناصر التي لا تحتاج إلى دورة تجفيف كاملة.
أي حمولة	مكبس التقليل®/خال من التجعد (حسب الموديل)	حرارة منخفضة أو متوسطة حسب المنسوجات في الحمولة	يساعد على إخفاء التجاعيد، مثل الموجودة في الملابس المعبأة في حقيبة أو في العناصر المتجمدة من تركها في المجفف لمدة طويلة جدا.
أي حمولة	تبريد	بدون حرارة	تبرد الحمولة لجعلها أكثر سهولة في التعامل معها.
المنسوجات المطاط والبلاستيك والحساسة للحرارة	نفخ الهواء/تجفيف هوائي/نفخ بدون حرارة (حسب الموديل)	بدون حرارة	تجفيف بدون حرارة.

ضبط درجة حرارة التجفيف

حدد درجة حرارة التجفيف على أساس حمولة المنسوجات. إذا لم تكن متأكدا من درجة الحرارة التي تحددها للحمولة، حدد إعدادا أقل انخفاضا بدلا من أعلى إعداد.

نصائح درجة الحرارة

إذا كان للمجفف الخاص بك إعدادات للحرارة متعددة:

- قد يستخدم إعداد الحرارة المرتفعة لتجفيف العناصر ثقيلة الوزن مثل المناشف وملابس العمل.
- قد يستخدم إعداد الحرارة المتوسطة لتجفيف العناصر متوسطة الوزن مثل الملاءات والبلوزات والفساتين والملابس الداخلية والمنسوجات المقاومة للتجعيد وبعض الملابس الجاهزة.

- قد يستخدم إعداد الحرارة المنخفضة لتجفيف العناصر خفيفة الوزن مثل الملابس الداخلية النسائية.
- استخدام إعداد (نفخ الهواء/تجفيف هوائي/نفخ بدون حرارة) بدون حرارة، للمنسوجات الإسفنج أو البلاستيك أو المطاط أو الحساسة للحرارة.
- قم بصف المنسوجات ذات الصفائح أو المرتبطة.

ملاحظة: إذا كان لديك أسئلة حول درجة حرارة التجفيف للحمولات المختلفة، ارجع إلى توجيهات رفعة العناية.

1 مفتاح دورة المجفف

استخدم مفتاح دورة التجفيف لتحديد الدورات المتوفرة في المجفف الخاص بك. أدر المفتاح لتحديد دورة لحمولة الغسيل الخاص بك. راجع "مرشد الدورة" للأوصاف المفصلة للدورات.

2 درجة حرارة النسيج (للاستخدام مع الدورات اليدوية فقط)

حدد درجة حرارة التجفيف على أساس حمولة المنسوجات. إذا لم تكن متأكدًا من درجة الحرارة التي تحدها للحمولة، حدد إعدادًا أقل انخفاضًا بدلًا من أعلى إعداد.

ملاحظة: ميزة درجة حرارة التجفيف الهوائي/نفخ الهواء/نفخ بدون حرارة غير متاحة في الدورات التلقائية (حسب الموديل).

3 واق التجعد™

عندما لا تتمكن من إزالة حمولة الملابس من المجفف حالما يتوقف، يمكن أن تتكون التجاعيد. ويقوم خيار واق التجعد™ دوريا بتقليب وإعادة ترتيب ونفخ الحمولة لمنع التجاعيد من التكون.

تلقائي

ينشط في نهاية الدورة إذا لم تفتح باب المجفف في غضون دقائق قليلة. وتبدأ هذه الميزة دوريا وتوقف المجفف وتقلب الحمولة بدون حرارة لمدة تصل إلى 30 أو 40 دقيقة، حسب الموديل.

الخيار

اضبط مفتاح محدد واق التجعد™ على التشغيل أو الإيقاف في أي وقت قبل انتهاء الدورة. احصل على تقليب يصل إلى 30 إلى 40 دقيقة (حسب الموديل) خلال من الحرارة ودوري في نهاية الدورة.

4 إشارة نهاية الدورة

تصدر إشارة نهاية الدورة صوتًا عند انتهاء دورة التجفيف. في بعض الموديلات إشارة نهاية الدورة ثابتة. وفي موديلات أخرى إشارة نهاية الدورة قابلة للتحديد وتصدر صوتًا في حالة ضبطها على حالة التشغيل.

ملاحظة: عند تحديد إعداد واق التجعد™ وإشارة نهاية الدورة في وضع تشغيل، تصدر الإشارة صوتًا كل بضع دقائق. وتتوقف الإشارة عند فتح الباب أو إدارة مفتاح التحكم في الدورة على وضع الإيقاف.

5 زر البداية/الإيقاف المؤقت

اضغط لبدء دورة أو اضغط مرة دوران الدورة للإيقاف المؤقت.

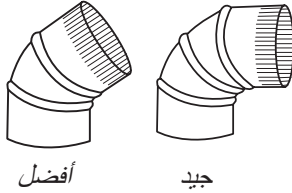
تحقق من نظام التهوية الخاص بك لتدفق هواء جيد

حافظ على التدفق الجيد للهواء من خلال:

- تنظيف مصفاة النسالة قبل كل حمولة للملابس.
- استبدال مواد أنبوب التهوية البلاستيكي أو ذات الرقاقة المعدنية بمادة لأنبوب التهوية صلبة وثقيلة قطر ها 4 بوصة (102 مم).



- استخدام أقصر طول ممكن لأنبوب التهوية.
- عدم استخدام أكثر من أربعة أكواع بزواوية 90 درجة في نظام التهوية، حيث تقلل كل حنية ومنحنى من تدفق الهواء.



- إزالة النسالة والحطام من غطاء العادم.
- إزالة النسالة من كامل امتداد نظام أنبوب التهوية على الأقل كل سنتين. وعند اكتمال التنظيف، تأكد من اتباع إرشادات التركيب المرفقة مع المجفف الخاص بك للفحص النهائي للمنتج.
- قم بإزالة العناصر من الجزء الأمامي للمجفف.

⚠ تحذير



خطر الحريق

- استخدم منفذ تهوية معدني ثقيل.
- لا تستخدم منفذ تهوية من البلاستيك.
- لا تستخدم منفذ تهوية من رقيقة معدنية.
- يمكن أن يؤدي عدم إتباع هذه الإرشادات إلى الوفاة أو الحريق.

التدفق الجيد للهواء

برفقة الحرارة، تتطلب المجففات تدفق جيد للهواء لتجفيف الغسيل بكفاءة. وتقلل التهوية السليمة مرات التجفيف وتحسن توفيرك للطاقة. راجع "إرشادات التركيب".

يلعب نظام التهوية الملحق بالمجفف دورا كبيرا في التدفق الجيد للهواء.

لا يشمل الضمان مكالمات الخدمة بسبب التهوية غير السليمة ويدفع ثمنها العميل، بغض النظر عن الشخص الذي قام بتركيب المجفف.

استخدم التجفيف التلقائي (Automatic Dry)/تجفيف الاستشعار التلقائي (Auto Sense Dry) لتوفير عناية أفضل للنسيج وتوفير الطاقة

استخدم دورات التجفيف التلقائي/تجفيف الاستشعار التلقائي لتوفير أكبر للطاقة وعناية معززة للنسيج من المجفف. أثناء التجفيف التلقائي/تجفيف الاستشعار التلقائي، يتم استشعار درجة حرارة الهواء الجاف ومستوى الرطوبة في الحمولة. ويحدث هذا الاستشعار طوال دورة التجفيف ويتوقف المجفف عن التشغيل عندما تصل الحمولة إلى الجفاف المحدد. ومع التجفيف الموقوت (Timed Dry)، يعمل المجفف لمقدار الوقت المحدد وأحيانا يؤدي إلى الإنكماش والتجعد والتباعد بسبب فرط التجفيف. استخدم التجفيف الموقوت للحمولة الرطبة العرضية التي تحتاج إلى وقت تجفيف أكثر قليلا أو عند استخدام رف التجفيف.

إرشادات هامة للسلامة

تحذير: للحد من خطر الحريق، أو التعرض لصدمة كهربائية، أو إلحاق الإصابة بالآخرين عند استخدام المجفف، اتبع الاحتياطات الأساسية، بما يشمل التالي:

- اقرأ جميع الإرشادات قبل استخدام المجفف.
- لا تضع أجساماً تعرضت لزيوت الطهي في المجفف لديك. فقطع الملابس التي تلوّثت بتلك الزيوت قد تسهم في إحداث تفاعل كيميائي قد يتسبب في اشتعال النار في حمل الغسيل.
- لا تقم بتجفيف قطع الغسيل التي سبق تنظيفها أو غسلها أو نقعها أو تلوينها بالبنزين، أو مواد الإذابة المستخدمة في التنظيف على الجاف، أو غيرها من المواد القابلة للاشتعال أو الانفجار لأنه قد يصدر عنها أبخرة قد تؤدي للاشتعال أو الانفجار.
- لا تترك الأطفال يلعبون على المجفف أو داخله، وتعد الرقابة عن كثب للأطفال خطوة ضرورية عند استخدام المجفف قرب الأطفال.
- قبل رفع المجفف من الخدمة أو التخلص منه، يجب فك الأبواب المؤدية إلى القسم الخاص بالتجفيف.
- لا تدخل أطرافك في المجفف إذا كانت الحلة في حالة الحركة.
- لا تقم بتثبيت المجفف أو تخزينه في مكان يتعرض له لظروف الطقس.
- لا تعبت بمفاتيح التحكم.
- لا تقم بإصلاح أي جزء من المجفف أو تستبدله أو تحاول إجراء الخدمة له ما لم يوصى بذلك في هذا الدليل الخاص بالاستخدام والعناية، أو يتم نشره في إرشادات الإصلاحات التي يمكن إجراؤها بمعرفة المستخدم، كما يجب أن تتوافر لك المهارات اللازمة لإنجاز هذه الإصلاحات.
- لا تستخدم مواد أو منتجات لتنعيم الأنسجة للتخلص من الكهرباء الاستاتيكية ما لم توص بذلك جهة تصنيع تلك المواد.
- لا تستخدم الحرارة لتجفيف قطع الغسيل التي تحتوي على مطاط إسفنجي أو غيرها من المواد الشبيهة بالمطاط.
- قم بتنظيف مرشح النسالة (وبر الأنسجة) في المجفف قبل كل حمل غسيل أو بعده.
- قم بإبقاء المنطقة المحيطة بفتحات العوادم ودخول الهواء والمناطق المجاورة لها خالية من تراكم النسالة والغبار والقاذورات.
- ينبغي تنظيف المجفف من الداخل وأنبوب إخراج العادم على فترات بمعرفة فنيين مؤهلين للخدمة.
- راجع إرشادات التركيب للتعرف على متطلبات التوصيل بطرف أرضي.

احفظ هذه الإرشادات

تحذير: حرصاً على سلامتك، يجب اتباع المعلومات الواردة في هذا الدليل للحد من خطر نشوب حريق أو وقوع انفجار، أو للوقاية من تعرض الممتلكات للتلف أو التعرض للإصابة الجسدية أو الوفاة.

- لا تقم بتخزين أو استخدام البنزين أو غيره من الأبخرة والسوائل القابلة للاشتعال بالقرب من هذا الجهاز أو أي جهاز آخر.
- ما الإجراء الواجب اتباعه في حالة تشمم رائحة الغاز:
 - لا تحاول تشغيل أي جهاز.
 - لا تلمس أي مفتاح كهربائي، ولا تستخدم أي هاتف في المبنى لديك.
 - قم بإخلاء الغرفة أو المبنى أو المنطقة من جميع السكان.
 - اتصل على الفور بشركة الغاز من هاتف أحد الجيران. واتبع إرشادات شركة الغاز.
 - إذا تعذر عليك الوصول إلى شركة الغاز، اتصل بإدارة المطافئ.
- يجب إجراء التركيب والخدمة بمعرفة فني تركيبات مؤهل، أو شركة للخدمة، أو شركة الغاز.

تحذير: لا يمكن دائماً الكشف عن تسرب الغاز عن طريق الشم.

يوصي موردي الغاز باستخدام جهاز الكشف عن الغاز الذي اعتمده UL أو CAS. للحصول على مزيد من المعلومات، يرجى الاتصال بمورد الغاز الخاص بك. إذا تم الكشف عن تسرب الغاز، اتبع إرشادات "قم بفعل الآتي إذا شممت رائحة غاز".

سلامة المجفف

إن سلامتك وسلامة الآخرين في غاية الأهمية.

لقد قدمنا العديد من رسائل السلامة في هذا الدليل، وعلى الجهاز. قم دائماً بالاطلاع على كافة رسائل السلامة وإتباعها.

هذا رمز تنبيه للسلامة.

ينبهك هذا الرمز للمخاطر المحتملة والتي قد تؤدي بحياتك أو تسبب الأذى لك أو للآخرين.

تأتي جميع رسائل السلامة عقب رمز التنبيه للسلامة وإما كلمة "خطر" أو "تحذير". وتعني هاتان الكلمتان ما يلي:



قد تتعرض للوفاة أو الإصابة البالغة في حالة عدم إتباعك للإرشادات على الفور.

خطر

قد تتعرض للوفاة أو الإصابة البالغة في حالة عدم إتباعك للإرشادات.

تحذير

تدلك كافة الرسائل الخاصة بالسلامة حول المخاطر المحتملة، وتلك على كيفية الحد من احتمال التعرض للإصابة، كما تدلك على ما قد يحدث في حالة عدم إتباع الإرشادات.

تحذير "خطر الحريق"



- يجب أن يتم إجراء التركيب لمجفف الملابس بمعرفة فني تركيب مؤهل.
- قم بتركيب مجفف الملابس وفقاً لإرشادات جهة التصنيع واللوائح المحلية.
- لا تقم بتركيب مجفف للملابس بمواد بلاستيكية مرنة للتهوية. في حالة تركيب أنبوب معدني مرن (من النوع المؤلف من رفاق)، فيجب أن يكون من نفس النوع المحدد الذي ذكرته جهة الصنع خصيصاً على أنه نوع مناسب للاستخدام مع مجففات الملابس. ومن المعروف عن مواد التهوية أنها تنهار، ويسهل كسرها، كما أنها تحتجز النسالة. سوف تسد هذه الظروف من تدفق الهواء في مجفف الملابس وتزيد من خطر نشوب حريق.
- للحد من خطر التعرض إلى إصابة حادة أو الوفاة، اتبع إرشادات التركيب.
- قم بحفظ هذه الإرشادات.

المجفف الكهربائي

دليل الاستخدام والعناية

موديلات عرض 29 بوصة

قائمة الموضوعات

إرشادات التشغيل	
2..... سلامة المجفف	
4..... تحقق من نظام التهوية الخاص بك لتدفق هواء جيد	
5..... لوحة التحكم والميزات	
6..... مرشد الدورة	
7..... استخدام المجفف الخاص بك	
10..... العناية بلامجفف	
إرشادات التركيب	
12..... متطلبات التركيب	
12..... الأدوات والقطع	
12..... متطلبات الموقع	
13..... المتطلبات الكهربائية	
14..... تركيب سيقان الاستواء	
15..... الاتصال الكهربائي	
19..... التهوية	
19..... متطلبات التهوية	
20..... خطة نظام التهوية	
21..... تركيب نظام التهوية	
22..... توصيل التهوية	
22..... تسوية المجفف	
22..... قائمة مراجعة التركيب الكاملة	
23..... دوران الباب العكسي (اختياري)	
27..... حل المشاكل	